

GB **Forced draught gas burners**

F **Brûleurs gaz à air soufflé**

Progressive two-stage or modulating operation

Fonctionnement à deux allures progressif ou modulant



RS

CODE	MODEL - MODÈLE	TYPE
3781620 - 3781622	RS 50/M MZ	826T1
3781621 - 3781623	RS 50/M MZ	826T1
3781682	RS 50/M MZ	826T80
3781683	RS 50/M MZ	826T80


Declaration of conformity in accordance with ISO / IEC 17050-1

Manufacturer: RIELLO S.p.A.
 Address: Via Pilade Riello, 7
 37045 Legnago (VR)
 Product: Forced draught gas burner
 Model: RS 50/M MZ

These products are in compliance with the following Technical Standards:
 EN 676
 EN 12100
 and according to the European Directives:

GAD	90/396/EEC	Gas Devices Directive
MD	2006/42/EC	Machine Directive
LVD	2006/95/EC	Low Voltage Directive
EMC	2004/108/EC	Electromagnetic Compatibility

Such products are marked as follows:



CE-0085AQ0709 (826T1)

The quality is guaranteed by a quality and management system certified in accordance with UNI EN ISO 9001.

Manufacturer's Declaration

RIELLO S.p.A. declares that the following products comply with the NOx emission limits specified by German standard "1. BImSchV release 26.01.2010".

Product	Type	Model	Power
Forced draught gas burner	826T1 - 826T80	RS 50/M MZ	80/285 - 630 kW

Legnago, 21.05.2015

Executive General Manager
 RIELLO S.p.A. - Burner Department
 Mr. U. Ferretti

Research & Development Director
 RIELLO S.p.A. - Burner Department
 Mr. F. Comencini

Section		Page
1	Information and general warnings	3
	1.1 Information about the instruction manual	3
	1.2 Guarantee and responsibility	3
2	Safety and prevention	4
	2.1 Introduction	4
	2.2 Personnel training	4
3	Technical description of the burner	5
	3.1 Burner designation	5
	3.2 Models available	5
	3.3 Burner categories - Countries of destination	5
	3.4 Technical data	6
	3.5 Burner weight	6
	3.6 Overall dimensions	6
	3.7 Firing rates	7
	3.8 Burner components	8
	3.9 Burner equipment	8
	3.10 Control box for the air/fuel ratio	9
	3.11 Servomotor	9
4	Installation	10
	4.1 Notes on safety for the installation	10
	4.2 Handling	10
	4.3 Preliminary checks	10
	4.4 Operating position	11
	4.5 Securing the burner to the boiler	11
	4.6 Combustion head adjustment	13
	4.7 Assembly of the gas train	15
	4.8 Electrical wiring	16
	4.9 Calibration of the thermal relay	17
5	Start-up, calibration and operation of the burner	18
	5.1 Notes on safety for the first start-up	18
	5.2 Operations before start-up	18
	5.3 Burner start-up	19
	5.4 Burner ignition	19
	5.5 Burner adjustment	19
	5.6 Operation sequence of the burner	22
	5.7 Burner flame goes out during operation	22
	5.8 Stopping of the burner	22
	5.9 Measuring the ionisation current	23
	5.10 Checking the air and gas pressure on the combustion head	23
	5.11 Final checks (with burner operating)	23
6	Faults - Probable causes - Solutions	24
	6.1 Normal operation / flame detection time	25
7	Maintenance	26
	7.1 Notes on safety for the maintenance	26
	7.2 Maintenance programme	26
	7.3 Opening the burner	27
	7.4 Closing the burner	27
A	Appendix - Electrical panel layout	28
B	Appendix - Accessories (optional)	33
C	Appendix - Gas supply pressure	35
D	Appendix - Firing rate on basis of air density	36

1.1 Information about the instruction manual

Introduction

The instruction manual supplied with the burner:

- is an integral and essential part of the product and must not be separated from it; it must therefore be kept carefully for any necessary consultation and must accompany the burner even if it is transferred to another owner or user, or to another system. If the manual is lost or damaged, another copy must be requested from the Technical Assistance Service **RIELLO** of the area;
- is designed for use by qualified personnel;
- offers important indications and instructions relating to the installation safety, start-up, use and maintenance of the burner.

Symbols used in the manual

In some parts of the manual you will see triangular DANGER signs. Pay great attention to these, as they indicate a situation of potential danger.

GENERAL DANGERS

The **dangers** can be of **3 levels**, as indicated below.



Maximum danger level!
This symbol indicates operations which, if not carried out correctly, cause serious injury, death or long-term health risks.



This symbol indicates operations which, if not carried out correctly, may cause serious injury, death or long-term health risks.



This symbol indicates operations which, if not carried out correctly, may cause damage to the machine and/or injury to people.

1.2 Guarantee and responsibility

RIELLO guarantees its new products from the installation date, in accordance with the regulations in force and/or the sales contract. At the moment of the first start-up, check that the burner is integral and complete.



Failure to observe the information given in this manual, operating negligence, incorrect installation and the carrying out of non authorised modifications will result in the annulment by **RIELLO** of the guarantee that it supplies with the burner.

In particular, the rights to the guarantee and the responsibility will no longer be valid, in the event of damage to things or injury to people, if such damage/injury was due to any of the following causes:

- incorrect installation, start-up, use and maintenance of the burner;
- improper, incorrect or unreasonable use of the burner;
- intervention of unqualified personnel;
- carrying out of non authorised modifications on the equipment;

DANGER: LIVE COMPONENTS



This symbol indicates operations which, if not carried out correctly, lead to electric shocks with lethal consequences.

Other symbols



ENVIRONMENTAL PROTECTION

This symbol gives indications for the use of the machine with respect for the environment.



This symbol indicates a list.

Abbreviations used

Ch.	Chapter
Fig.	Figure
Page	Page
Sec.	Section
Tab.	Table

Delivery of the system and the instruction manual

When the system is delivered, it is important that:

- The instruction manual is delivered to the user by the system manufacturer, with the recommendation to keep it in the room where the heat generator is to be installed.
- The instruction manual shows:
 - the serial number of the burner;
 - the address and telephone number of the nearest Assistance Centre;
- The system supplier must carefully inform the user about:
 - the use of the system,
 - any further tests that may be necessary before the system is started up,
 - maintenance and the need to have the system checked at least once a year by the Manufacturer or another specialised technician.
 To ensure a periodic check, **RIELLO** recommends the drawing up of a Maintenance Contract.

- use of the burner with safety devices that are faulty, incorrectly applied and/or not working;
- installation of untested supplementary components on the burner;
- powering of the burner with unsuitable fuels;
- faults in the fuel power supply system;
- use of the burner even following an error and/or an irregularity;
- repairs and/or overhauls incorrectly carried out;
- modification of the combustion chamber with inserts that prevent the regular development of the structurally established flame;
- insufficient and inappropriate surveillance and care of those burner components most subject to wear and tear;
- use of non-original **RIELLO** components, including spare parts, kits, accessories and optionals;
- force majeure.

RIELLO furthermore declines any and every responsibility for the failure to observe the contents of this manual.

2.1 Introduction

The **RIELLO** burners have been designed and built in compliance with current regulations and directives, applying the known technical rules of safety and envisaging all the potential danger situations.

It is necessary, however, to bear in mind that the imprudent and clumsy use of the equipment may lead to situations of death risk for the user or third parties, as well as the damaging of the burner or other items. Inattention, thoughtlessness and excessive confidence often cause accidents; the same applies to tiredness and sleepiness.

It is a good idea to remember the following:

- The burner must only be used as expressly described. Any other use should be considered improper and therefore dangerous.

In particular:

it can be applied to boilers operating with water, steam, diathermic oil, and to other users expressly named by the manufacturer;

the type and pressure of the fuel, the voltage and frequency of the electrical power supply, the minimum and maximum deliveries for which the burner has been regulated, the pressurisation of the combustion chamber, the dimensions of the combustion chamber and the room temperature must all be within the values indicated in the instruction manual.

- Modification of the burner to alter its performance and destinations is not allowed.
- The burner must be used in exemplary technical safety conditions. Any disturbances that could compromise safety must be quickly eliminated.
- Opening or tampering with the burner components is not allowed, apart from the parts requiring maintenance.
- Only those parts envisaged by the manufacturer can be replaced.

2.2 Personnel training

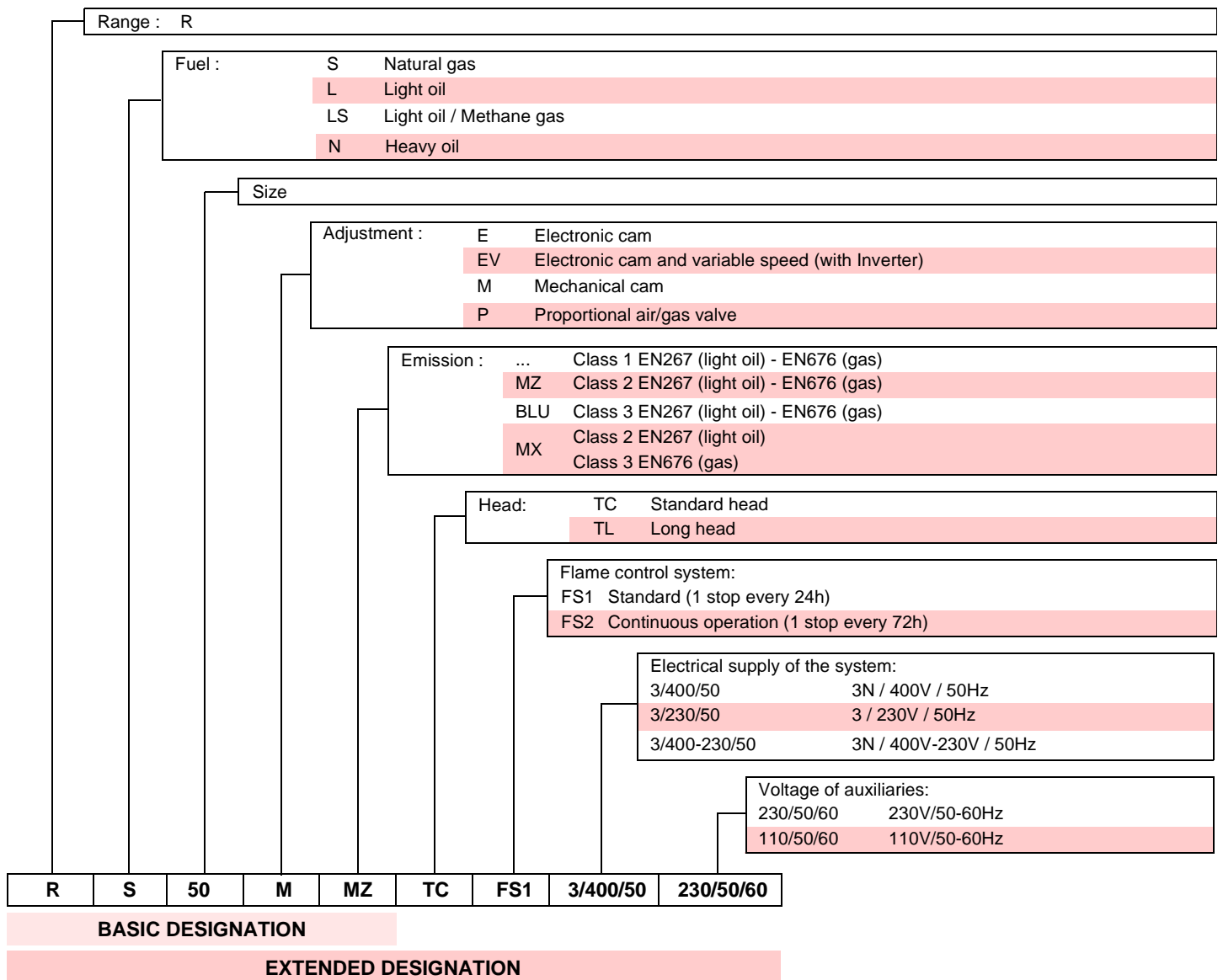
The user is the person, body or company that has acquired the machine and intends to use it for the specific purpose. He is responsible for the machine and for the training of the people working around it.

The user:

- undertakes to entrust the machine exclusively to suitably trained and qualified personnel;
- must take all the measures necessary to prevent unauthorised people gaining access to the machine;
- undertakes to inform his personnel in a suitable way about the application and observance of the safety instructions. With that aim, he undertakes to ensure that everyone knows the use and safety instructions for his own duties;
- must inform the Manufacturer if faults or malfunctioning of the accident prevention systems are noticed, along with any presumed danger situation.

- Personnel must always use the personal protective equipment envisaged by legislation and follow the indications given in this manual.
- Personnel must follow all the danger and caution indications shown on the machine.
- Personnel must not carry out, on their own initiative, operations or interventions that are not within their province.
- Personnel must inform their superiors of every problem or dangerous situation that may arise.
- The assembly of parts of other makes or any modifications can alter the characteristics of the machine and hence compromise operating safety. The manufacturer therefore declines any and every responsibility for any damage that may be caused by the use of non-original parts.

3.1 Burner designation



3.2 Models available

Designation		Voltage	Code
RS 50/M MZ	TC	3 ~ 400/230V 50Hz	3781620 - 3781622
RS 50/M MZ	TL	3 ~ 400/230V 50Hz	3781621 - 3781623
RS 50/M MZ	TC	3 ~ 380/460/480V 60Hz	3781682
RS 50/M MZ	TL	3 ~ 380/460/480V 60Hz	3781683

3.3 Burner categories - Countries of destination

Country of destination	Gas category
AT - CH - CZ - DK - EE - ES - FI - GB - GR - HU - IE IS - IT - LT - LV - NO - PT - SE - SI - SK - TR	I2E
NL	I2L
FR	I2Er
DE	I2ELL
BE	I2E(R)B
LU - PL	I2E

3.4 Technical data

Model			RS 50/M MZ	
Type			826T1	826T80
Output (1)	maximum	kW	285 - 630	
		Mcal/h	245 - 542	
	minimum	kW	80	
		Mcal/h	69	
Fuel			Natural gas: G20 - G23 - G25	
Gas pressure at max. output (2) - Gas: G20/G25		mbar	8.5 - 11.3	
Operation			Intermittent (min. 1 stop in 24 hours)	
Standard applications			Boilers: water, steam, diathermic oil	
Ambient temperature		°C	0 - 40	
Combustion air temperature		°C max	60	
Main electrical supply			3 ~ 400/230V 50Hz	3 ~ 380/460/480V 60Hz
Control circuit power supply			1N ~ 230V 50Hz	1N ~ 220V 60Hz
Fan motor (rating)		rpm	2800	3400
		V	220/240 - 380/415	208/230 - 380/460/480
		kW	0.65	0.56
Operating current		A	3 - 1.7	3.6 (λλ) - 1.8 (λ)
Acceleration current		A	13.5 - 7.7	22 - 20.5
Ignition transformer	V1 - V2	230 V - 1 x 8 kV		
	I1 - I2	1 A - 20 mA		
Absorbed electrical power		kW max	0.75	0.66
Protection level			IP 44	
Noise levels (3)	Sound pressure	dB(A)	72	
	Sound power		83	

(1) Reference conditions: Ambient temperature 20°C - Gas temperature 15°C - Barometric pressure 1013 mbar - Altitude 0 m above sea level.

(2) Gas pressure on the pipe coupling test point 8) (Fig. 5) with zero pressure in the combustion chamber and at maximum burner output.

(3) Sound pressure measured in manufacturer's combustion laboratory, with burner operating on test boiler and at maximum rated output. The sound power is measured with the "Free Field" method, as per EN 15036, and according to an "Accuracy: Category 3" measuring accuracy, as set out in EN ISO 3746.

3.5 Burner weight

The weight of the burner complete with its packaging is shown in table.

mm	kg
RS 50/M MZ	41

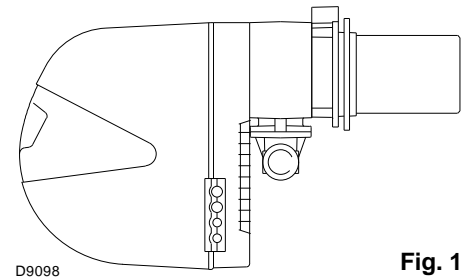


Fig. 1

3.6 Overall dimensions

The dimensions of the burner are shown in Fig. 2.

Bear in mind that inspection of the combustion head requires the burner to be opened and the rear part drawn back on the guides.

The dimensions of the open burner are indicated by position H.

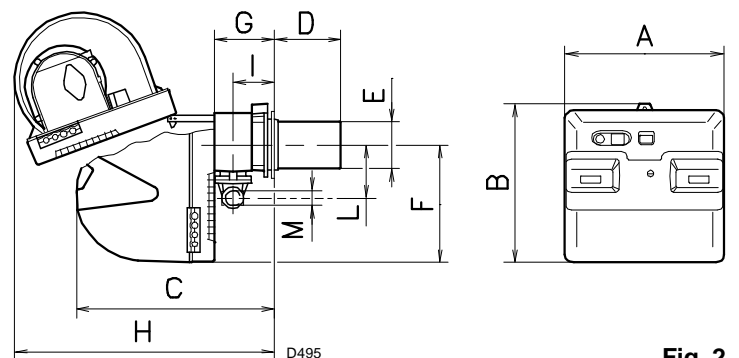


Fig. 2

mm	A	B	C	D ₍₁₎	E	F	G	H	I	L	M
RS 50/M MZ	476	474	580	216 - 351	152	352	164	810	108	168	1"1/2

(1) Blast tube: short-long

3.7 Firing rates

The **maximum output** is chosen within area A.

The **minimum output** must not be lower than the minimum limit of the diagram.

Important

The firing rate was obtained considering an ambient temperature of 20°C and an atmospheric pressure of 1013 mbar (approx. 0 m above sea level), with the combustion head adjusted as shown in Ch. 4.6.

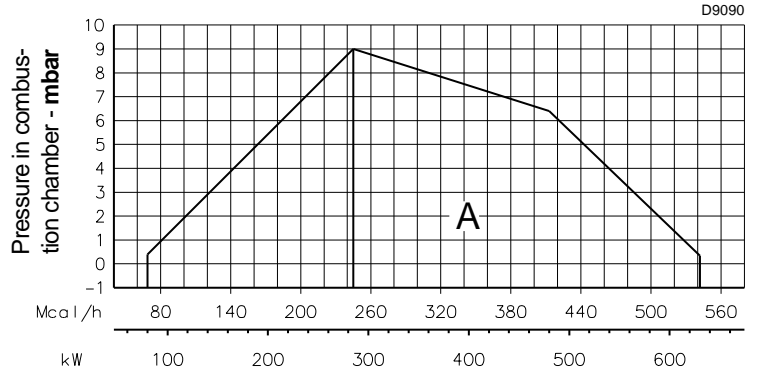


Fig. 3

The firing rates were obtained in special test boilers, according to EN 676 regulations.

Fig. 4 indicates the diameter and length of the test combustion chamber.

Example

Output 407 kW (350 Mcal/h):
diameter 60 cm,
length 1.5 m.

The coupling is ensured when the boiler is EC type-approved; for boilers or ovens with combustion chambers of very different dimensions compared to those shown in the diagram of Fig. 4, preliminary checks are recommended.

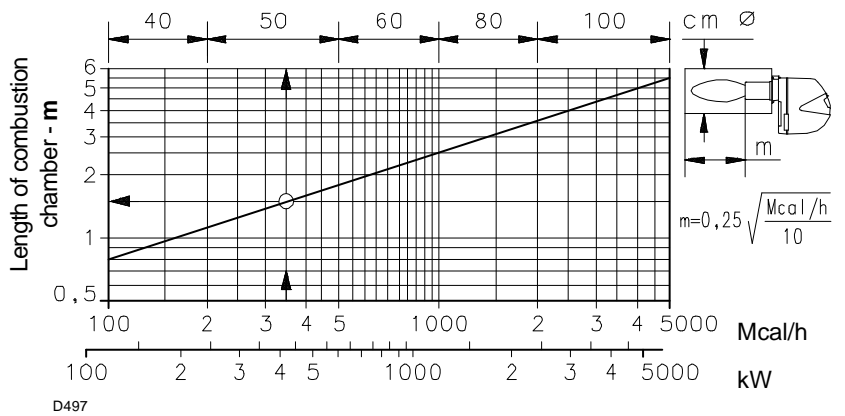
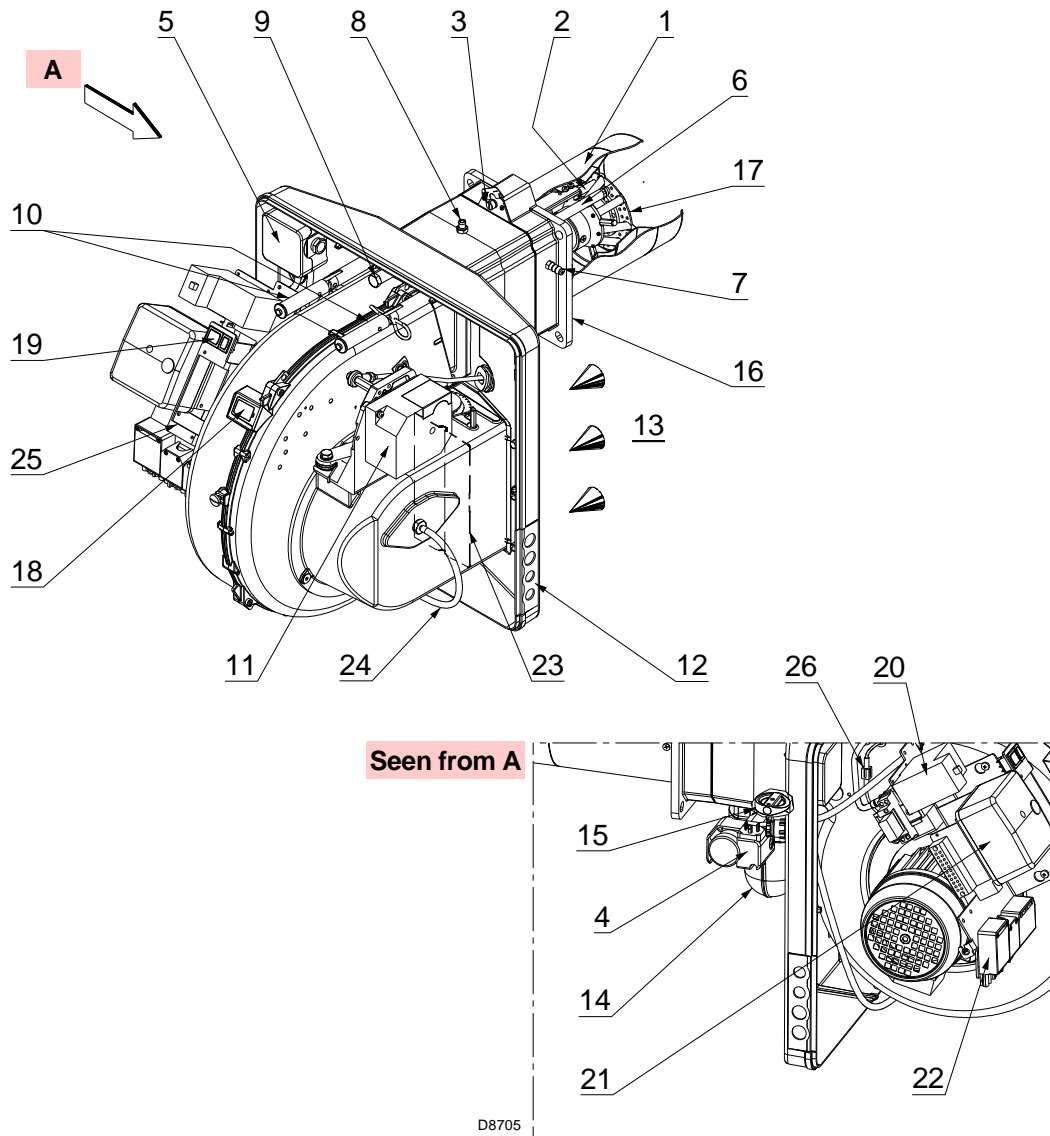


Fig. 4

3.8 Burner components



D8705

Fig. 5

- | | | |
|---|--|--|
| 1 Combustion head | cam mechanism). | Button for: power increase - power reduction |
| 2 Ignition electrode | When the burner is not operating the air gate valve is fully closed in order to reduce heat dispersion from the boiler due to the flue draught which draws air from the fan suction inlet. | 20 Motor contact maker and thermal relay with reset button |
| 3 Screw for combustion head adjustment | | 21 Control box with lockout pilot light and lockout reset button |
| 4 Maximum gas pressure switch | | 22 Terminal board for electrical wiring |
| 5 Air pressure switch (differential operating type) | | 23 Air damper |
| 6 Flame sensor probe | 12 Plate with four hole knock-outs for electrical cable routing | 24 Tube connecting the fan suction line to the air pressure switch |
| 7 Air pressure socket | 13 Fan air inlet | 25 Bracket for application of output power regulator RWF |
| 8 Gas pressure test point and head fixing screw | 14 Gas input pipe | 26 Plug-socket on ionisation probe cable |
| 9 Screw securing fan to pipe coupling | 15 Gas butterfly valve | |
| 10 Slide bars for opening the burner and inspecting the combustion head | 16 Boiler fixing flange | |
| 11 Servomotor controlling the gas butterfly valve and the air damper valve (by means of an adjustable profile | 17 Flame stability disc | |
| | 18 Flame inspection window | |
| | 19 Power switch for: automatic - manual - off | |

3.9 Burner equipment

The burner is supplied complete with:

- Gas train flange
- Flange gasket
- 4 screws to fix the M8x25 flange:
- 4 screws to fix the M8x25 burner flange to the boiler
- Thermal insulation screen
- N° 6 cable grommets for electrical wiring
- Instruction manual
- Spare parts list

3.10 Control box for the air/fuel ratio

Introduction

The RMG/M 88.62... control box included in burners of **RS** range is designed to control and start up forced draught gas burners with intermittent operation.

In compliance with:

- Technical Standard EN676 (gas burners)
- Technical Standard EN298 (gas appliances)



Fig. 6



All the installation, maintenance and disassembly operations must be carried out with the electricity supply disconnected.
To avoid damaging things or injuring people, do not open or alter the control box.



The installation of the burner must be carried out by qualified personnel, in compliance with the standards and regulations of the laws in force.

Technical Data

Electrical supply	AC 220....240V +10% / -15%
Frequency	50....60 Hz +/- 6%
Internal fuse	T6,3H250V
Operation below the nominal value of electrical supply	
Minimum operation value on reduction of electrical supply below nominal value	approx. AC 160V
Minimum operation value on increase in electrical supply towards nominal value	approx. AC 175V
Maximum load of the contacts:	
Alarm exit	
Nominal power supply	AC 230V, 50/60 Hz
Maximum current	0.5 A
Allowed cable length	
Thermostat	max. 20 m at 100 pF/m
Air pressure switch	max. 1 m at 100 pF/m
CPI	max. 1 m at 100 pF/m
Gas pressure switch	max. 20 m at 100 pF/m
Flame detector	max. 1 m
Remote reset	max. 20 m at 100 pF/m
M4 screws tightening torque	max. 0.8 Nm

3.11 Servomotor

The servomotor provides simultaneous adjustment for the air damper, by means of the adjustable profile cam and the gas butterfly valve.

The angle of rotation of the servomotor is equal to the angle on the graduated sector controlling the gas butterfly valve.

The servomotor rotates by 90° in 24 seconds.



Do not alter the factory setting for the 4 cams; simply check that they are set as indicated below:

Cam I: 90°

Limits rotation toward maximum position.

When the burner is at MAX output, the gas butterfly valve must be fully open: 90°.

Cam II: 0°

Limits rotation toward minimum position.

When the burner is shut down, the air damper and gas butterfly valve must be closed: 0°.

Cam III: 15°

Adjusts the ignition position and the MIN output.


Cam IV: integrated to cam III.




Fig. 7

4.1 Notes on safety for the installation

After carefully cleaning all around the area where the burner will be installed, and arranging the correct lighting of the environment, proceed with the installation operations.




All the installation, maintenance and disassembly operations must be carried out with the electricity supply disconnected.




The installation of the burner must be carried out by qualified personnel, as indicated in this manual and in compliance with the standards and regulations of the laws in force.

4.2 Handling

The packaging of the burner includes a wooden platform, so it is possible to move the burner (still packaged) with a transpallet truck or fork lift truck.




The handling operations for the burner can be highly dangerous if not carried out with the greatest attention: keep any unauthorised people at a distance; check the integrity and suitability of the available means of handling. Check also that the area in which you are working is empty and that there is an adequate escape area (i.e. a free, safe area to which you can quickly move if the burner should fall). During the handling, keep the load at not more than 20-25 cm from the ground.




After positioning the burner near the installation point, correctly dispose of all residual packaging, separating the various types of material. Before proceeding with the installation operations, carefully clean all around the area where the burner will be installed.

4.3 Preliminary checks

Checking the consignment

 After removing all the packaging, check the integrity of the contents. In the event of doubt, do not use the burner; contact the supplier.

 The packaging elements (wooden cage or cardboard box, nails, clips, plastic bags, etc.) must not be abandoned as they are potential sources of danger and pollution; they should be collected and disposed of in the appropriate places.

Checking the characteristics of the burner


Check the identification label of the burner, showing:

- the model (see **A** in Fig. 8) and type of burner (**B**);
 - the year of manufacture, in cryptographic form (**C**);
 - the serial number (**D**);
 - the data for electrical supply and the protection level (**E**);
 - the electrical input power (**F**);
 - the types of gas used and the relative supply pressures (**G**);
 - the data of the burner's minimum and maximum output possibilities (**H**) (see Firing rate)
- Warning.** The output of the burner must be within the boiler's firing rate;
- the category of the appliance/countries of destination (**I**).

RBL	A	B	C
D	E	F	
GAS-KAASU <input checked="" type="checkbox"/>	G	H	
GAZ-AEPIO	G	H	
I		RIELLO SpA I-37045 Legnago (VR)	
			CE 0085

Fig. 8

D7738



A burner label that has been tampered with, removed or is missing, along with anything else that prevents the definite identification of the burner and makes any installation or maintenance work difficult.

4.4 Operating position

The burner is designed to work only in the positions 1, 2, 3 and 4.

Installation 1 is preferable, as it is the only one that allows the maintenance operations as described in this manual. Installations 2, 3 and 4 permit operation but make maintenance and inspection of the combustion head more difficult.

Any other position could compromise the correct operation of the appliance. Installation 5 is prohibited for safety reasons.

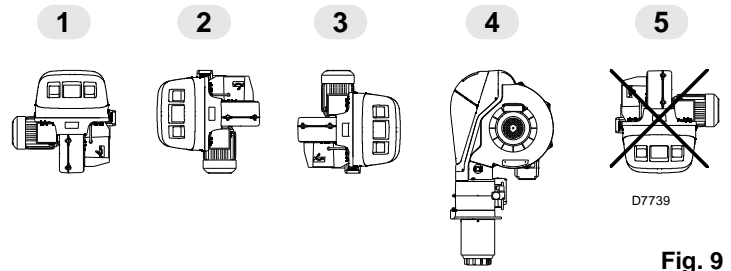


Fig. 9

4.5 Securing the burner to the boiler

Preparing the boiler

Boring the boiler plate

Make holes in the plate shutting off the combustion chamber, as illustrated in Fig. 10. The position of the threaded holes can be marked using the thermal insulation screen supplied with the burner.

mm	A	B	C
RS 50/M MZ	160	224	M8

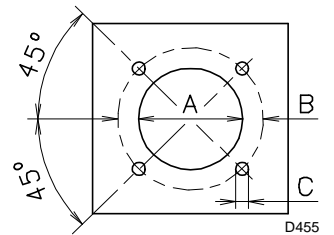


Fig. 10

Length of the blast tube

The length of the blast tube must be selected according to the indications provided by the manufacturer of the boiler, and in any case it must be greater than the thickness of the boiler door complete with its refractory.

The available lengths L are those indicated in the table below.

Blast tube	short	long
RS 50/M MZ	216 mm	351 mm

For boilers with front flue passes (13) or flame inversion chamber, a protection in refractory material (11) must be inserted between the boiler fettling (12) and the blast tube (10).

This protection must not compromise the extraction of the blast tube. See Fig. 11.

For boilers with a water-cooled frontal, a refractory lining is not necessary (11)-12) unless expressly requested by the boiler manufacturer.

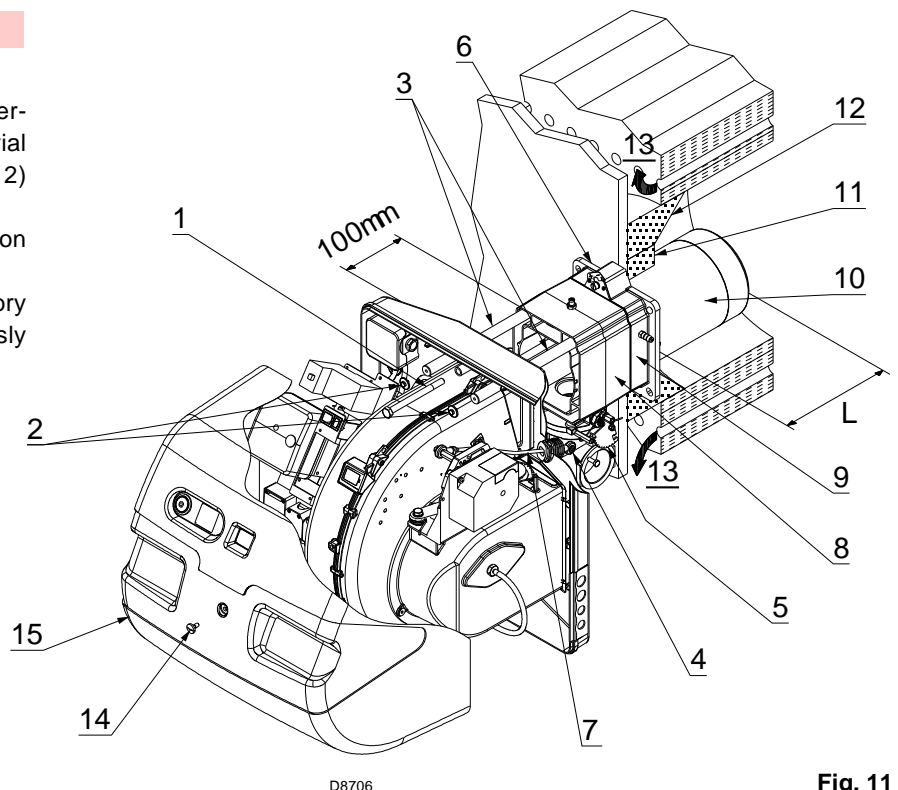


Fig. 11

Securing the burner to the boiler

Before fixing the burner to the boiler, check from the opening of the blast tube that the probe and the electrode are correctly positioned, as in Fig. 12.

If, in the previous check, the position of the probe or electrode was not correct, remove the screw 1)(Fig. 13), extract the inner part 2)(Fig. 13) of the head, and calibrate them.

Do not rotate the probe: leave it as in Fig. 12 since if it is located too close to the ignition electrode, the control box amplifier may be damaged.

Separate the combustion head from the rest of the burner, Fig. 11.

To do this, proceed as follows:

- remove screw 14) and withdraw the cover 15);
- disengage the articulated coupling 4) from the graduated sector 5);
- remove screws 2) from the two slide bars 3);
- remove screw 1) and pull the burner back on slide bars 3) by about 100 mm;
- disconnect the wires from the probe and the electrode and then pull the burner completely off the slide bars, after removing the split pin from the slide bar 3).

Once this operation has been carried out, fix the flange 9)(Fig. 11) to the boiler plate, interposing the insulating gasket 6)(Fig. 11) supplied.

Use the 4 screws 2) supplied, with a tightening torque of $35 \div 40$ Nm, after protecting their thread with anti-seize products.

The seal between burner and boiler must be airtight. After the start-up (see Ch. 5.3), check there is no leakage of flue gases into the external environment.

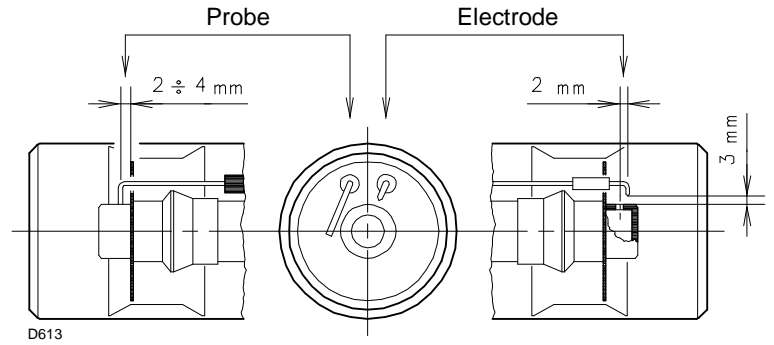


Fig. 12

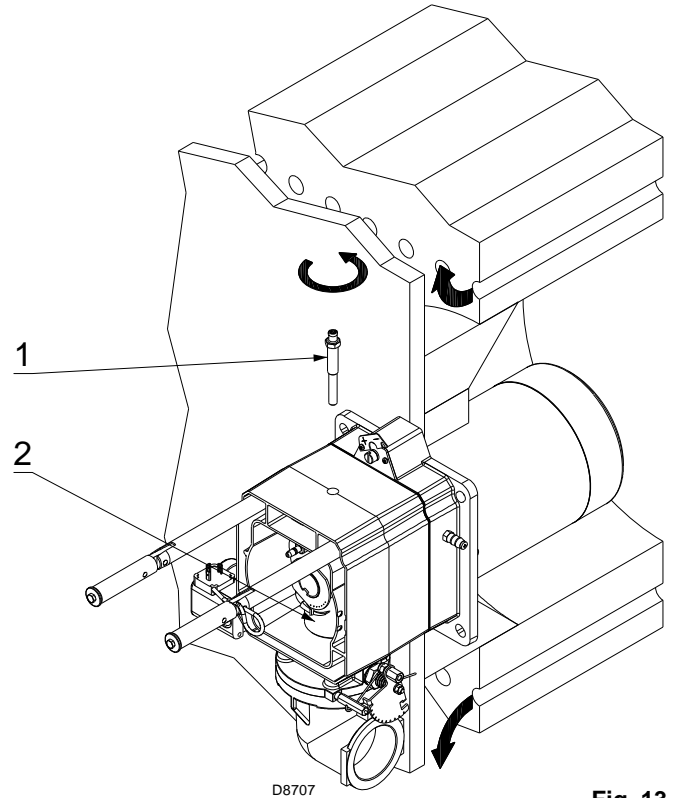


Fig. 13

4.6 Combustion head adjustment

At this stage of installation, the blast tube and the pipe coupling are secured to the boiler as shown in Fig. 15. Therefore it is particularly easy to carry out the combustion head adjustments: air and gas.



MINIMUM OUTPUT MODULATIONS:
when the MIN output is between 80 - 129 kW, the ring nut 2) value must be adjusted to 0.

There are two possible cases:

The MINIMUM burner output is over 130 kW.

In the diagram of Fig. 16, find the notch at which both air and gas can be adjusted according to the MAX output, then:

Air adjustment

Rotate the screw 4) until the notch you have found corresponds with the front surface 5) of the flange.

Central gas adjustment

Loosen the screw 1) and turn ring nut 2) until the notch identified is aligned with index 3).

Tighten the screw 1) fully down.

Example:

the burner varies output between MIN = 130 and MAX = 460 kW.

The gas and air adjustments for this output are carried out on notch 3, like in Fig. 15.

The loss of pressure in the combustion head is shown in column 1 on page 35.

NOTE

The diagram shows the ideal settings for the ring nut 2).

If ring nut 2) is only partially opened, the ring nut can be further opened 1-2 notch if pressure in the gas feeding network is very low and pressure indicated on page 35 in MAX gas cannot be reached.

To continue the preceding example, on page 35, it can be seen that 5.4 mbar of pressure in socket 6) are needed for a burner with 460 kW of power. If this pressure is not available, open 4-5 notch ring nut 2).

Check that the combustion is satisfactory and without pulsations.

The MINIMUM burner output is lower than 130 kW.

Air adjustment

The same as the previous case: follow the diagram.

Central gas adjustment

The ring nut 2) is always adjusted to position 0, irrespective of the MAX burner output.

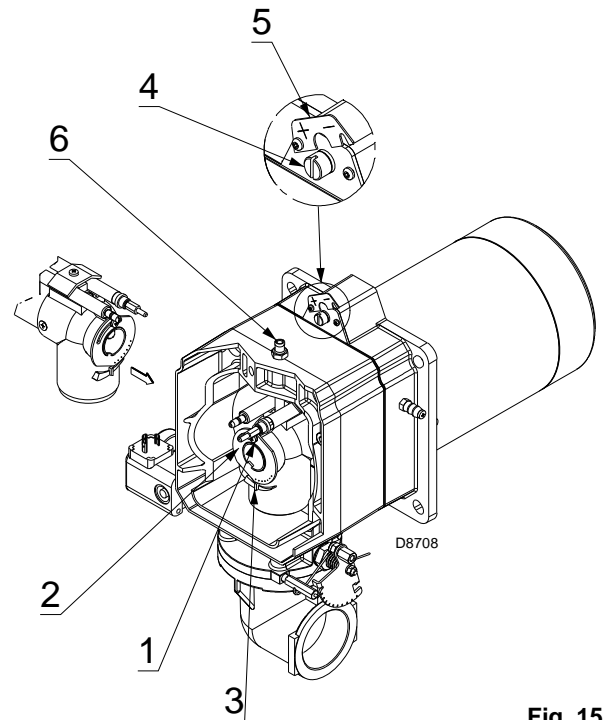


Fig. 15

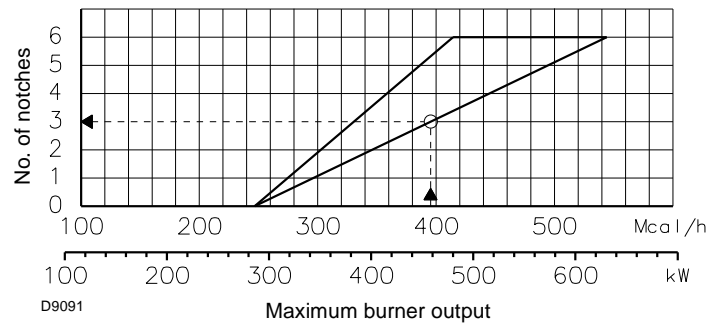


Fig 16

Once the combustion head adjustment is completed:

- reassemble the burner 4) on the slide bars 3) at about 100 mm from the pipe coupling 5) - burner in the position shown in Fig. 11;
- insert the probe and electrode cables, then slide the burner as far as the pipe coupling - burner in the position shown in Fig. 17;
- refit the screws 2) on the slide bars 3);
- fix the burner to the pipe coupling with the screw 1).

- refit the split pin into one of two slide bars 3).
- re-couple the articulated coupling 6) to the graduated sector 7).



When fitting the burner on the two guides, it is advisable to gently draw out the high voltage cable and flame detection probe cable until they are slightly taut.

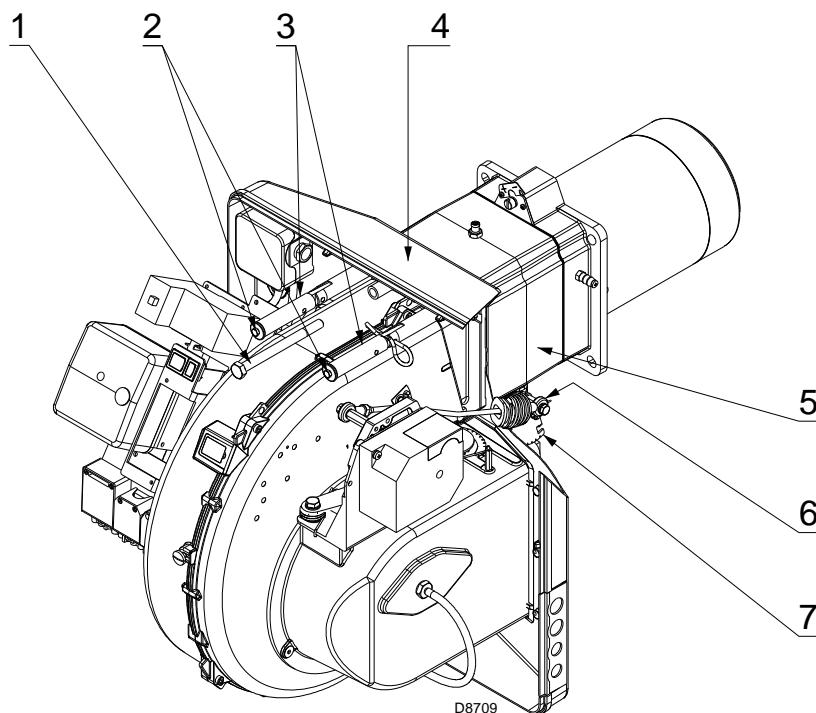


Fig. 17

4.7 Assembly of the gas train

- The gas train is type-approved according to standard EN 676 and is supplied separately from the burner, with the code indicated in Appendix B.
- The gas train can enter the burner from the right or left side, depending on which is the most convenient, see Fig. 18.
- The gas train must be connected to the gas attachment 1)(Fig. 18) with the flange 2), the gasket 3) and the screws 4) supplied with the burner.
- The gas solenoids must be as close as possible to the burner, to ensure that the gas reaches the combustion head within the safety time of 3s.
- Ensure that the maximum pressure necessary for the burner is included in the calibration field of the pressure adjuster (colour of the spring).

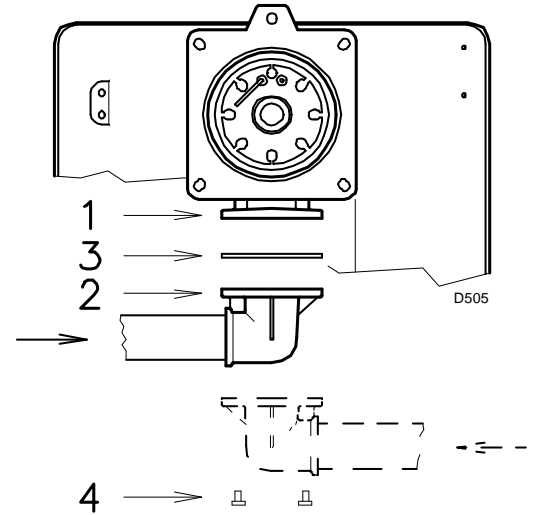


Fig. 18



See the accompanying instructions for the adjustment of the gas train.

- 1 - Gas input pipe
- 2 - Manual valve
- 3 - Vibration damping joint
- 4 - Pressure gauge with pushbutton cock
- 5 - Filter
- 6 - Pressure adjuster (vertical)
- 7 - Minimum gas pressure switch
- 8 - Safety solenoid VS (vertical)
- 9 - Adjustment solenoid VR (vertical)
- 10 - Two adjustments:
 - ignition delivery (rapid opening)
 - maximum delivery (slow opening)
- 11 - Standard issue burner gasket with flange
- 12 - Gas adjustment butterfly valve
- 13 - Burner
- 14 - Valve 8)-9) leak detection control device.
- 15 - In compliance with the EN 676 standard, gas valve leak detection control devices are compulsory for burners with maximum outputs over 1200 kW.
- 16 - Gas train/burner adaptor
- 17 - Maximum gas pressure switch
- 18 - P1-Pressure at combustion head
- 19 - P2-Pressure down-line from the pressure adjuster
- 20 - P3-Pressure upline the filter
- L - Gas train supplied separately with the code indicated in Appendix B
- L1 - The responsibility of the installer

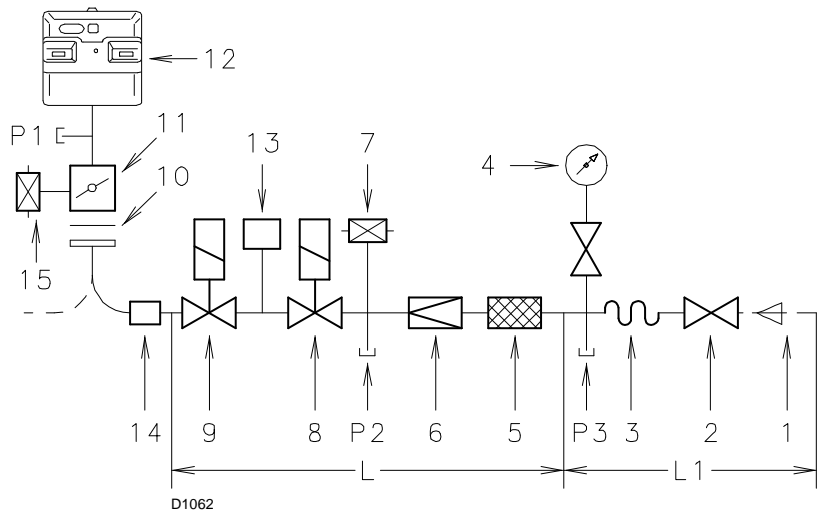


Fig. 19

The losses of load along the gas supply line are indicated in Appendix C.

4.8 Electrical wiring

Notes on safety for the electrical wiring

- The electrical wiring must be carried out with the electrical supply disconnected.
- Electrical wiring must be carried out by qualified personnel and in compliance with the regulations currently in force in the country of destination. Refer to the electrical layouts given in Appendix A.
- **RIELLO** declines all responsibility for modifications or connections different from those shown in the electrical layouts.
- Check that the electrical supply of the burner corresponds to that shown on the identification label and in this manual. See Fig. 8.
- Do not invert the neutral with the phase in the electrical supply line. Any inversion would cause a lockout due to ignition failure.
- RS50/M MZ burners have been approved for intermittent operation. This means they should compulsorily be stopped at least once every 24 hours to enable the control box to perform checks of its own start-up efficiency. Normally, burner stopping is guaranteed by the boiler's thermostat/pressure switch. If this is not the case, a time switch should be fitted in series to IN to provide for burner shutdown at least once every 24 hours. Refer to the electrical layouts given in Appendix A.
- The electrical safety of the device is obtained only when it is correctly connected to an efficient earthing system, made according to current standards. It is necessary to check this fundamental safety requirement. In the event of doubt, have the electrical system checked by qualified personnel. Do not use the gas tubes as an earthing system for electrical appliances.
- The electrical system must be suitable for the maximum input power of the device, as indicated on the label and in the manual, checking in particular that the section of the cables is suitable for the input power of the appliance.
- For the main power supply of the device from the electricity mains:
 - do not use adapters, multiple sockets or extensions;
 - use an omnipolar switch with an opening of at least 3 mm between the contacts, as indicated by the current safety standards.
- Do not touch the device with wet or damp body parts and/or in bare feet.
- Do not pull the electric cables.



If the hood is still present, remove it and proceed with the electrical wiring according to the layouts shown in Appendix A.

Use flexible cables in compliance with the EN 60 335-1 standard.

All cables to be connected to the plugs 7 (Fig. 20) of the burner are passed through supplied cable grommets that must be inserted into the holes of the left-hand and right-hand plate, after having unscrewed screws 8), opened the plate in part 9) and 10) and removed the thin diaphragm that blocks the holes.

The fairleads and hole press-outs can be in various ways; by way of example we indicate the following mode:

- 1-Pg 11 Three-phase power supply
- 2-Pg 11 Single-phase power supply
- 3-Pg 9 Remote control TL
- 4-Pg 9 Remote control TR or probe (RWF)
- 5-Pg 11 Gas valves (when RG1/CT or LDU 11 leak detection control device is not fitted)
- 6-Pg 11 Gas pressure switch or valve leak detection control device

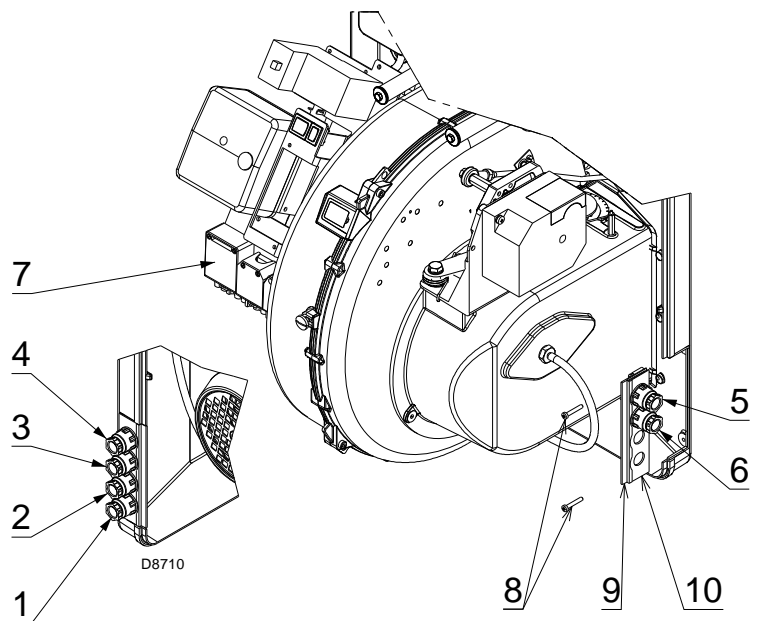


Fig. 20

4.9 Calibration of the thermal relay

The thermal relay serves to avoid damage to the motor due to an excessive absorption increase or if a phase is missing.

The protection is in any case ensured even if the minimum value of the thermal relay scale is over the rating absorption of the motor.

This occurs when the motor power supply is 400V.

To reset, in case of an intervention of the thermal relay, press button 1) of Fig. 21.

Voltage 3 ~ 400/230V - 50Hz

- If the motor is star-driven, **400V**, the cursor must be positioned on "MIN".
 - If it is delta-driven, **230V**, the cursor is positioned on "MAX".
- Even if the scale of the thermal relay does not include rated motor absorption at 400V, protection is still ensured in any case.

NOTE

The RS 50/M MZ models leave the factory preset for **400V** power supply. If **230V** power supply is used, change the motor connection from star to delta and change the calibration of the thermal relay as well.

Voltage 3 ~ 380/460/480V - 60Hz

- If the motor is star-driven, **380/460/480V**, the cursor must be positioned on "MIN".
- Even if the scale of the thermal relay does not include rated motor absorption at **380/460/480V**, protection is still ensured in any case.

NOTE

The burners leave the factory preset for **380/460/480V** power supply.

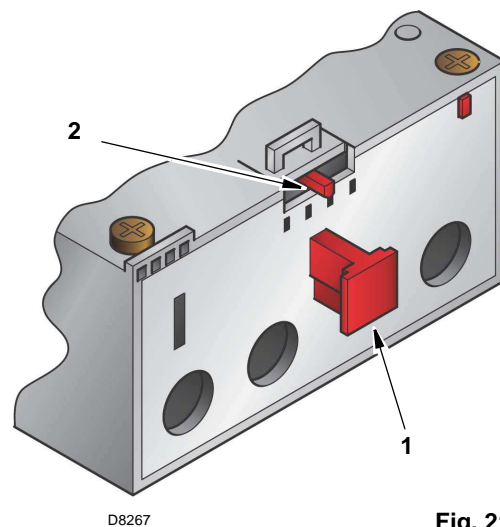


Fig. 21

5.1 Notes on safety for the first start-up



The first start-up of the burner must be carried out by qualified personnel, as indicated in this manual and in compliance with the standards and regulations of the laws in force.



Check the correct working of the adjustment, command and safety devices.

5.2 Operations before start-up

- Ensure that the gas supply company has carried out the supply line vent operations, eliminating air or inert gases from the piping.
- Slowly open the manual valves situated upstream of the gas train.
- Adjust the minimum gas pressure switch (Fig. 22) to the start of the scale.
- Adjust the maximum gas pressure switch (Fig. 23) to the end of the scale.
- Adjust the air pressure switch (Fig. 24) to the start of the scale.

Minimum gas pressure switch

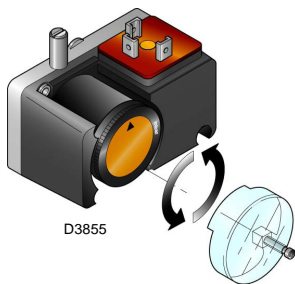


Fig. 22

Maximum gas pressure switch

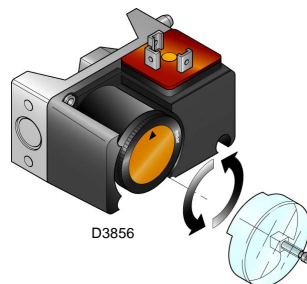


Fig. 23

Air pressure switch



Fig. 24

- Check the gas supply pressure by connecting a pressure gauge to the pressure test point 1)(Fig. 25) of the minimum gas pressure switch: it must be lower than the maximum allowed pressure of the gas train, as shown on the characteristics label.



An excessive gas pressure can damage the components of the gas train and lead to a risk of explosion.

- Bleed the air from the piping of the gas train, connecting a plastic tube to the pressure test point 1)(Fig. 25) of the minimum gas pressure switch. Take the vent tube outside the building so you can notice the smell of gas.
- Connect two lamps or testers to the two gas line solenoids to check the exact moment at which voltage is supplied. This operation is unnecessary if each of the two solenoids is equipped with an indicator light that signals voltage passing through.



Before starting up the burner, it is good practice to adjust the gas train so that ignition takes place in conditions of maximum safety, i.e. with gas delivery at the minimum.

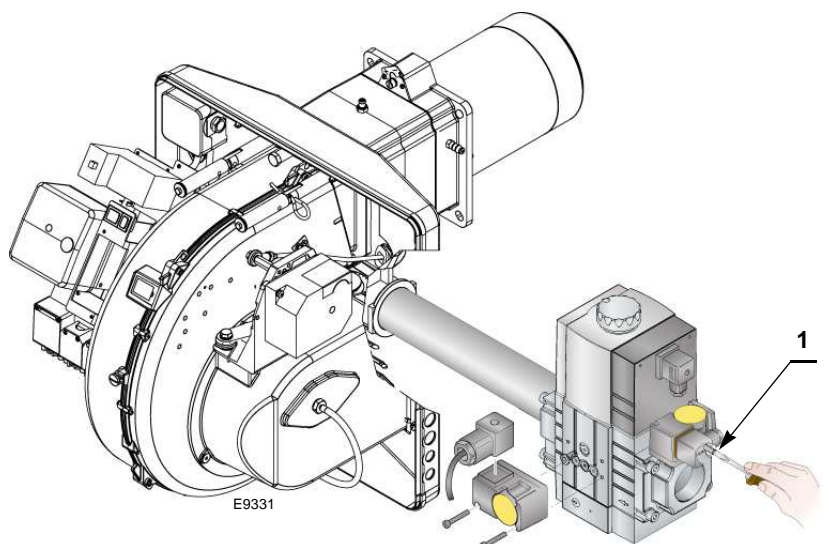


Fig. 25

5.3 Burner start-up

Feed electricity to the burner via the disconnecting switch on the boiler panel.

Close the thermostats/pressure switches and turn the switch of Fig. 27 to position "MAN".



Make sure that the lights or testers connected to the solenoids, or the pilot lights on the solenoids themselves, indicate that no voltage is present. If voltage is present, stop the burner **immediately** and check the electrical wiring.

As soon as the burner starts, check the direction of rotation of the fan blade, looking through the flame inspection window.

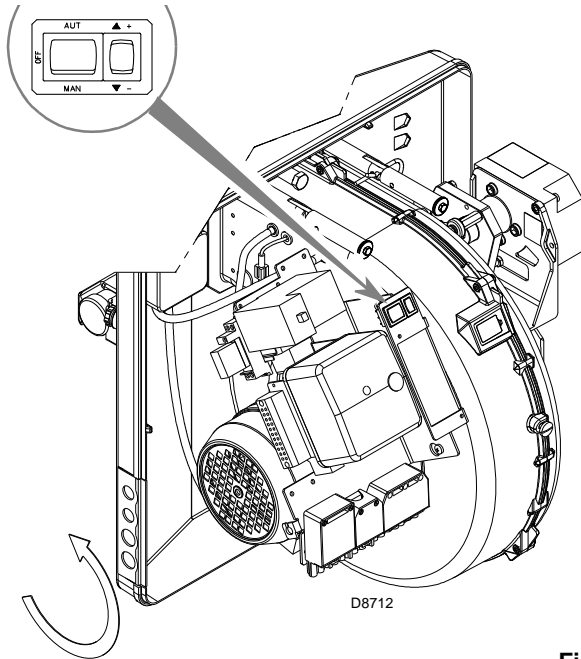


Fig. 26

5.4 Burner ignition

Having completed the checks indicated in the previous heading, ignition of the burner should be achieved. If the motor starts but the flame does not appear and the control box goes into lockout, reset and wait for a new ignition attempt.

If ignition is still not achieved, it may be that gas is not reaching the combustion head within the safety time period of 3 seconds. In this case increase gas ignition delivery.

The arrival of gas to the pipe coupling is shown by the pressure gauge.

Once the burner has ignited, proceed with the global adjustment of the burner.

5.5 Burner adjustment

The optimum adjustment of the burner requires an analysis of flue gases at the boiler outlet.

Adjust in sequence:

- Output upon ignition
- Maximum output
- Minimum output
- Intermediate outputs between Min. and Max.
- Air pressure switch
- Maximum gas pressure switch
- Minimum gas pressure switch

Output upon ignition

According to EN 676 standard.

Burners with MAX output up to 120 kW

Ignition can occur at the maximum operation output level. Example:

- max. operation output: 120 kW
- max. output upon ignition: 120 kW

Burners with MAX output above 120 kW

Ignition must occur at a lower output than the max. operation output.

If ignition output does not exceed 120 kW, no calculations are required. If ignition output exceeds 120 kW, the regulatory standard sets that the value be defined according to the control box safety time "ts":

for $t_s = 3s$, ignition output must be equal to or less than 1/3 of the max. operation output.

Example

MAX operation output of 450 kW.

The ignition output must be equal to or less than 150 kW with $t_s = 3s$.

In order to measure the ignition output:

- disconnect the plug-socket 26)(Fig. 5) on the ionisation probe cable (the burner will fire and then go into lockout after the safety time has elapsed);
- perform 10 ignitions with consecutive lockouts;
- on the meter, read the quantity of gas burned: this quantity must be equal to, or lower than, the quantity given by the formula, for $t_s = 3s$:

$$V_g = \frac{Q_a (\text{max. burner delivery}) \times n \times t_s}{3600}$$

V_g: volume supplied in ignitions carried out (Sm³)

Q_a: ignition delivery (Sm³/h)

n: number of ignitions (10)

t_s: safety time (sec)

Example for gas G 20 (9.45 kWh/Sm³):

ignition output 150 kW

corresponding to 15.87 Sm³/h.

After 10 ignitions with their lockouts, the delivery indicated on the meter must be equal to or less than:

$$V_g = \frac{15.87 \times 10 \times 3}{3600} = 0.132 \text{ Sm}^3$$

Maximum output

Max. output of the burner must be set within the firing rate range shown on page 7. In the above description, we left the burner switched on, working at MIN output.

Now press the button 2)(Fig. 27) "output increase", and keep it pressed until the servomotor has opened the air damper and the gas butterfly valve at 90°.

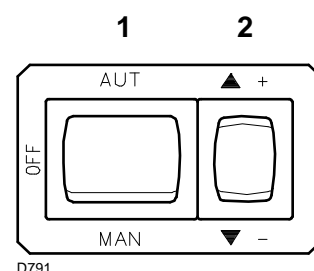


Fig. 27

Adjustment of gas delivery

Measure the gas delivery on the meter.

As a general rule, it can be seen from the table on page 35: just read gas pressure on the pressure gauge, see Fig. 36, and follow the indications given on page 35.

- If delivery needs to be reduced, diminish outlet gas pressure; if it is already very low, slightly close the VR adjustment valve.
- If delivery needs to be increased, increase the adjuster outlet gas pressure.

Adjusting air delivery

Progressively adjust the end profile of cam 4)(Fig. 28) by turning the cam adjustment screws as they are visible through the access opening 6 (Fig. 28).

- Turn the screws clockwise to increase air delivery.
- Turn the screws anti-clockwise to reduce air delivery.

Minimum output

MIN output must be selected within the firing rate range shown on page 7.

Press the button 2 (Fig. 27) "output reduction", and keep it pressed until the servomotor has closed the air damper and the gas butterfly valve at 15° (adjustment made in the factory).

Adjustment of gas delivery

Measure the gas delivery on the meter.

- If it is necessary to reduce it, reduce slightly the angle of cam III (Fig. 29) with small, regular movements, i.e. bring it from an angle of 15° to 13° - 11°....
- If it is necessary to increase it, press slightly the button "output increase" 2)(Fig. 27) (open by 10-15° the gas butterfly valve), increase the cam III angle (Fig. 29) with small, regular movements, i.e. bring it from an angle of 15° a 17° - 19°....

Then press the button "output reduction" until the servomotor is in the position of minimum opening, and measure the gas output.

NOTE

The servomotor follows the adjustment of cam III only when the angle of the cam is reduced. If it is necessary to increase the angle of the cam, you must first increase the angle of the servomotor by means of the "output increase" key, then increase the angle of cam III, and finally bring the servomotor to the position of MIN output, with the "output reduction" key.

If it is necessary to adjust cam III, remove the cover 1)(Fig. 29), inserted with a trigger catch, as indicated in Fig. 29, extract the special key 2)(Fig. 29) from inside, and insert it in the notch of cam III.

Adjusting air delivery

Progressively adjust the end profile of cam 4)(Fig. 28) by turning the cam adjustment screws as they are visible through the access opening 6)(Fig. 28).

It is preferable not to turn the first screw since this is used to set the air damper to its fully closed position.

Intermediate outputs**Adjustment of gas delivery**

No adjustment of gas delivery is required.

Adjusting air delivery

Press the key 2)(Fig. 27) "output increase" a little so that a new screw 5)(Fig. 28) appears in the opening 6)(Fig. 28), adjust it until optimal combustion is obtained. Proceed in the same way with the other screws.

Take care that the cam profile variation is progressive.

Switch the burner off with switch 1)(Fig. 27), OFF position. Release the adjustable profile cam by setting the servomotor slot 2)(Fig. 28) in a vertical position and check several times that by rotating the cam forwards and backwards by hand, the move-

ment is soft and smooth, without sticking.

As far as is possible, try not to move those screws at the ends of the cam that were previously adjusted for the opening of the air damper to MAX and MIN output.

NOTE

Once you have finished adjusting outputs MAX - MIN - INTERMEDIATE, check ignition once again: noise emission at this stage must be identical to the following stage of operation. If you notice any sign of pulsations, reduce the ignition stage delivery.

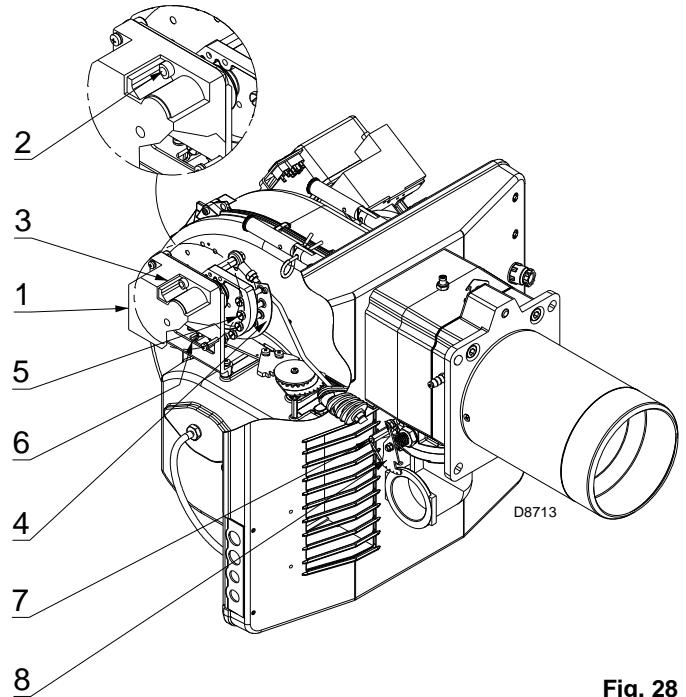


Fig. 28

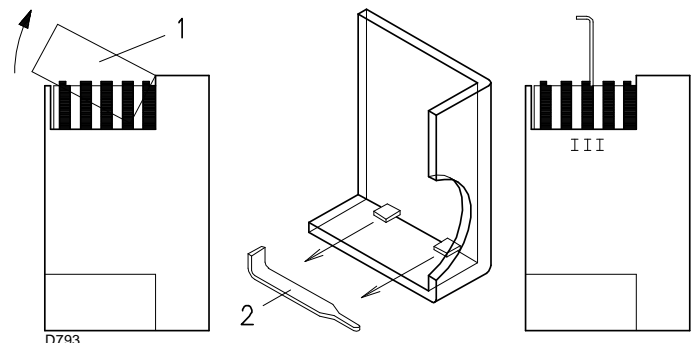


Fig. 29

- 1 Servomotor
- 2 ⊖ Cam 4 engaged/ ⊕ disengaged
- 3 Cam cover
- 4 Adjustable profile cam
- 5 Screws for adjusting the adjustable profile
- 6 Opening for access to screws 5
- 7 Index for graduated sector 8
- 8 Graduated sector for gas butterfly valve

Air pressure switch

The air pressure switch can be connected in differential mode, see B)(Fig. 30), i.e. it is under pressure either by the depression or pressure generated by the fan. In this way the burner can operate even in combustion chambers in depression and with high modulation ratios: MIN / MAX outputs of up to 1/6.

In this case the air pressure switch needs no adjustment and its function is limited to controlling fan operation.

Warning: The use of the air pressure switch with differential operation is allowed only in industrial applications and where rules enable the air pressure switch to control only fan operation without any reference to CO limit.

In civil applications the pipe from the fan air inlet should be removed, see A)(Fig. 30), and adjust the pressure switch as follows.

Air pressure switch connected as in A)(Fig. 30):

The air pressure switch is set after all other adjustments have been made. Begin with the switch at the start of the scale.

With the burner operating at MIN output, increase adjustment pressure by slowly turning the relative knob clockwise until the burner locks out.

Then turn the knob anticlockwise by about 20% of the set point and repeat burner start-up to ensure it is correct.

If the burner locks out again, turn the knob anticlockwise a little bit more.

Warning: as a rule, the air pressure switch must limit the CO in the fumes to less than 1% (10,000 ppm). To check this, insert a combustion analyser into the chimney, slowly close the fan suction inlet (for example with cardboard) and check that the burner locks out, before the CO in the fumes exceeds 1%.

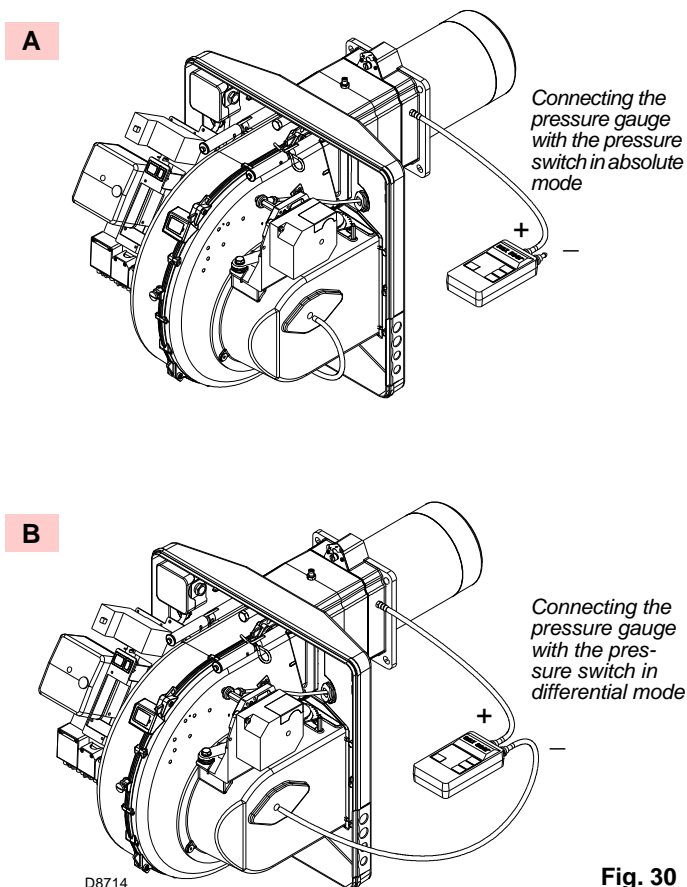


Fig. 30

Maximum gas pressure switch

Adjust the maximum gas pressure switch after having performed all other burner adjustments with the maximum gas pressure switch set to the end of the scale (Fig. 31).

With the burner operating at maximum output, lower adjustment pressure by slowly turning the relative knob anti-clockwise until the burner locks out.

Turn the knob clockwise by 2 mbar and repeat the start-up of the burner.

If the burner locks out again, turn the knob clockwise again by 1 mbar.

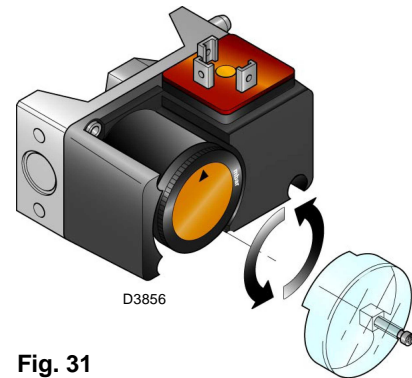


Fig. 31

Minimum gas pressure switch

Adjust the minimum gas pressure switch after having performed all other burner adjustments with the pressure switch set to the start of the scale (Fig. 32).

With the burner operating at maximum output, increase adjustment pressure by slowly turning the relative knob clockwise until the burner locks out.

Then turn the knob anticlockwise by 2 mbar and repeat burner start-up to ensure it is uniform.

If the burner locks out again, turn the knob anticlockwise again by 1 mbar.

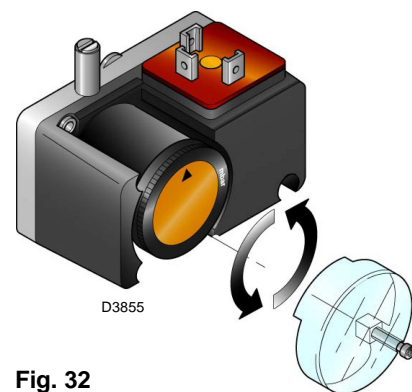


Fig. 32

5.6 Operation sequence of the burner

Burner start-up

- 0s: TL closed.
- 0s: TL thermostat/pressure switch closes.
- 2s: The control box starting cycle begins. Servomotor starts: rotate to the left by 90°, i.e. until the contact intervenes with cam I (Fig. 7).
- 26s: The air damper arrives to the MAX. output position. The fan motor starts up. Start of the pre-purging phase.
- 57s: the servomotor rotates towards the right, as far as the angle set on cam III (Fig. 7) for the MIN output.
- 77s: The air damper and the gas butterfly valve adopt the MIN output position (with cam III) (Fig. 7) at 65°.
- 92s: Ignition electrode strikes a spark. The safety valve VS opens, along with the adjustment valve VR, quick opening. The flame is ignited at a low output level, point A. Delivery is then progressively increased, with the valve VR opening slowly up to MIN. output, point B.
- 94s: The spark goes out.
- 118s: The starting cycle comes to an end.

STANDARD IGNITION

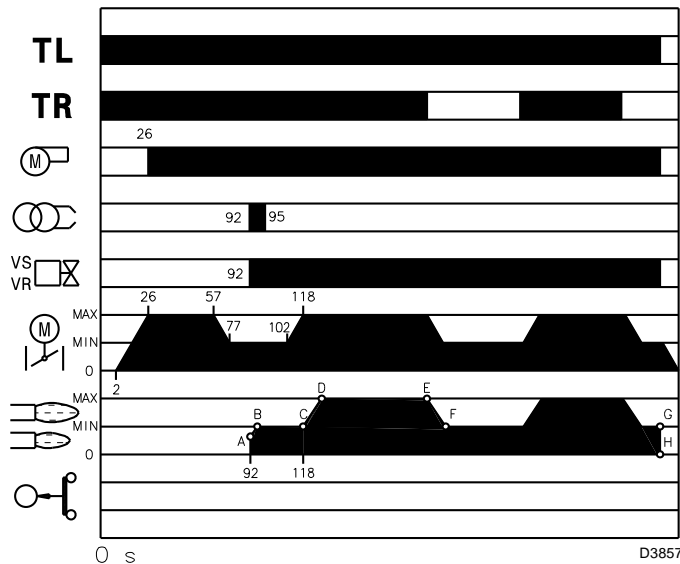


Fig. 33

Steady state operation

Burner without themodulating operation kit

Once the start-up cycle is completed, the servomotor command moves on to the TR thermostat/pressure switch that controls the pressure or the temperature in the boiler, point C. (The electrical control box still continues to check the presence of the flame and the correct position of the air and gas maximum pressure switches).

- If the temperature or the pressure is low so the thermostat/pressure switch TR is closed, the burner progressively increases the output up to the MAX value (section C-D).
- If subsequently the temperature or pressure increases until TR opens, the burner progressively decreases its output to the MIN. value (section E-F). The sequence repeats endlessly.

- The burner locks out when the heat request is less than the heat supplied by the burner at MIN. output, (section G-H). The TL thermostat/pressure switch opens, and the servomotor returns to angle 0°. The air damper closes completely to reduce heat losses to a minimum.

Burner with modulating operation kit

See manual enclosed with the adjuster.

Ignition failure

If the burner does not switch on, there is a lockout within 3s of the electrical supply reaching the gas valve.

It may be that the gas does not arrive at the combustion head within the safety time of 3s.

In this case increase gas ignition delivery.

The arrival of the gas at the pipe coupling is shown on the pressure gauge of Fig. 36.

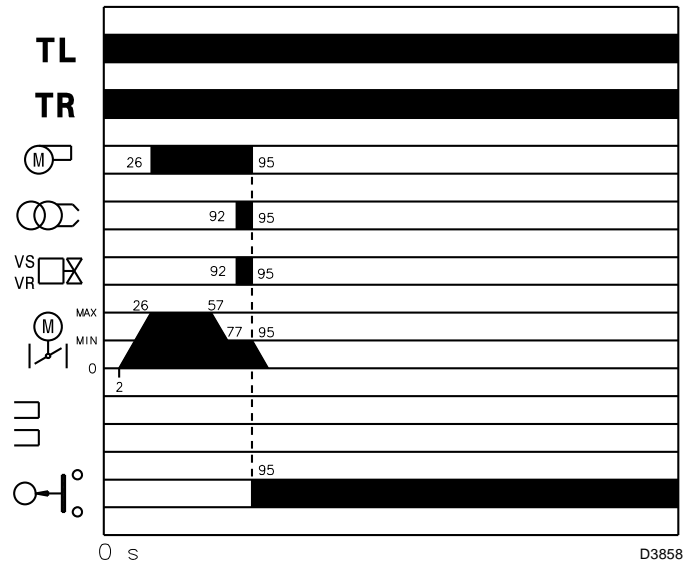


Fig. 34

5.7 Burner flame goes out during operation

If the flame should accidentally go out during operation, the burner will lock out within 1s.

5.8 Stopping of the burner

The burner can be stopped by:

- intervening on the disconnecting switch of the electrical supply line, located on the boiler panel;
- removing the hood and working on the "AUT/MAN" switch of Fig. 27.

5.9 Measuring the ionisation current

The burner is fitted with an ionisation system to check that a flame is present. The minimum current for control box operation is $6 \mu\text{A}$.

The burner provides a much higher current, so controls are not normally required.

However, if it is necessary to measure the ionisation current, disconnect the plug-socket (2)(Fig. 35) on the ionisation probe cable and insert a direct current microammeter (1)(Fig. 35) with a base scale of $100 \mu\text{A}$.

Carefully check the polarities!

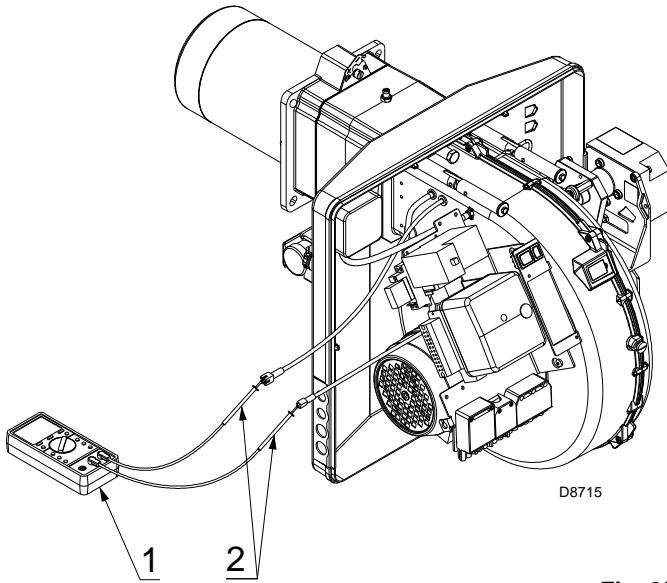


Fig. 35

5.11 Final checks (with burner operating)

- Open the thermostat/pressure switch TL:
- Open the thermostat/pressure switch TS:
the burner must stop
- Rotate the maximum gas pressure switch knob to the minimum end-of-scale position.
- Rotate the air pressure switch knob to the maximum end-of-scale position.
the burner must stop in lockout
- Switch off the burner and disconnect the voltage.
- Disconnect the minimum gas pressure switch connector.
the burner must not start
- Disconnect the ionisation probe wire.
the burner must stop in lockout due to ignition failure
- Make sure that the mechanical locking systems on the different adjustment devices are fully tightened.

5.10 Checking the air and gas pressure on the combustion head

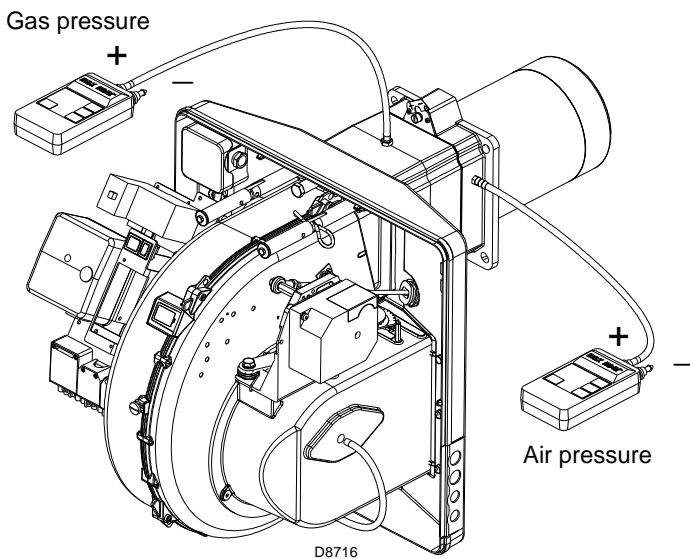


Fig. 36

The control box has a self-diagnostic system, which easily allows identifying the operating faults (signal: **RED LED**). To use this function, wait at least ten seconds from the safety lock out, and then press the reset button for a minimum of 3 seconds.

After releasing the button, the RED LED starts flashing as shown in the diagram below.

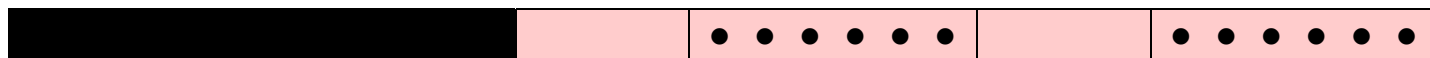
RED LED on
press reset for 10s

Press button
for > 3s

Signal

Interval
3s

Signal



The pulses of the LED constitute a signal spaced by approximately 3 seconds.

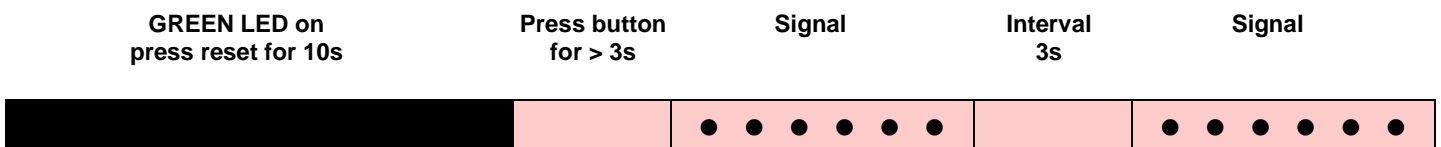
The number of pulses will provide the information on the possible faults, according to the table below.

SIGNAL	FAULT	PROBABLE CAUSE	SUGGESTED REMEDY
2 blinks ● ●	Once the pre-purging phase and safety time have passed, the burner goes into lockout without the appearance of the flame	1 - The operation solenoid lets little gas through Increase 2 - One of the two solenoid valves does not open. Replace 3 - Gas pressure too low Increase pressure at regulator 4 - Ignition electrode incorrectly adjusted Adjust, see Fig. 12 5 - Electrode grounded due to broken insulation. Replace 6 - High voltage cable defective Replace 7 - High voltage cable deformed by high temperature. . . Replace and protect 8 - Ignition transformer defective. Replace 9 - Incorrect valve or transformer electrical wiring Check 10 - Defective control box Replace 11 - A closed valve up-line from the gas train Open 12 - Air in pipework Bleed air 13 - Gas trains not connected or with coil blocked Check connections or replace coil	
3 blinks ● ● ●	The burner does not switch on, and the lockout appears	14 - Air pressure switch in operating position Adjust or replace	
	The burner switches on, but then stops in lockout	Air pressure switch inoperative due to insufficient air pressure: 15 - Air pressure switch incorrectly adjusted. Adjust or replace 16 - Pressure switch pressure test point pipe blocked . . . Clean 17 - Head incorrectly adjusted. Adjust 18 - High pressure in the furnace Connect air pressure switch to fan suction line	
	Lockout during pre-purging phase	19 - Defective motor control contactor. Replace (only three-phase version) 20 - Defective electrical motor. Replace 21 - Motor lockout (only three-phase version). Replace	
4 blinks ● ● ● ●	The burner switches on, but then stops in lockout	22 - Flame simulation Replace the control box	
	Lockout when burner stops	23 - Permanent flame in the combustion head or Eliminate permanency of flame simulation of flame or flame simulation and replace control box	
6 blinks ● ● ● ● ● ●	The burner switches on, but then stops in lockout	24 - Defective or incorrectly adjusted servomotor Replace or adjust	
7 blinks ● ● ● ● ● ● ●	The burner goes into lockout immediately following the appearance of the flame	25 - The operation solenoid lets little gas through. Increases 26 - Ionisation probe incorrectly adjusted. Adjust it, see Fig. 12 27 - Insufficient ionisation (less than 5 μ A) Check probe position 28 - Probe earthed Withdraw or replace cable 29 - Burner poorly grounded Check grounding 30 - Phase and neutral connections inverted Invert them 31 - Defective flame detection circuit. Replace control box	
	Burner locks out when shifting from minimum to maximum output and vice versa	32 - Too much air or too little gas Adjust air and gas	
	Burner goes into lockout during operation	33 - Probe or ionisation cable earthed Replace worn parts	

SIGNAL	FAULT	PROBABLE CAUSE	SUGGESTED REMEDY
10 blinks ●●●●●●●●●●	The burner does not switch on, and the lockout appears	34 - Incorrect electrical wiring	Check connections
	The burner goes into lockout	35 - Defective control box 36 - Presence of electromagnetic disturbances in the thermostat lines 37 - Presence of electromagnetic disturbance	Replace Filter or eliminate Use the radio disturbance protection kit
No blink	The burner does not start	38 - No electrical power supply	Close all switches - Check connections
		39 - A limiter or safety control device is open	Adjust or replace
		40 - Line fuse blocked	Replace
		41 - Defective control box	Replace
		42 - No gas supply	Open the manual valves between contactor and train
The burner continues to repeat the start-up cycle, without lockout	43 - Mains gas pressure insufficient 44 - Minimum gas pressure switch fails to close 45 - Servomotor fails to move to min. ignition position . . .	46 - The gas pressure in the network is near the value. . . on which the min. gas pressure switch gas is adjusted. The sudden drop in pressure when the valve is opened causes the temporary opening of the pressure switch itself, the valve immediately closes and the burner comes to a halt. Pressure increases again, the pressure switch closes and the ignition cycle is repeated. And so on.	Reduce the cut in pressure of the min. gas pressure switch Replace the gas filter cartridge
		47 - Head poorly adjusted 48 - Ignition electrode incorrectly adjusted 49 - Incorrectly adjusted fan air damper: too much air . . . 50 - Output during ignition phase is too high	Adjust, see Fig. 15 Adjust it, see Fig. 12 Adjust Reduce
Ignition with pulsations	51 - Control device TR does not close 52 - Defective control box 53 - Defective servomotor	Adjust or replace Replace Replace	
Burner does not reach maximum output	54 - Servomotor defective	Replace	
Burner stops with air damper open			

6.1 Normal operation / flame detection time

The control box has a further function to guarantee the correct burner operation (indicator: **GREEN LED** permanently on). To use this function, wait at least ten seconds from the burner ignition and then press the control box button for a minimum of 3 seconds. After releasing the button, the GREEN LED starts flashing as shown in the figure below.



The pulses of the LED constitute a signal spaced by approximately 3 seconds. The number of pulses will measure the probe DETECTION TIME since the opening of gas valves, according to the following table:

SIGNAL	FLAME DETECTION TIME
1 blink ●	0.4 s
2 blinks ● ●	0.8 s
6 blinks ● ● ● ● ● ●	2.8 s

This is updated in every burner start-up. Once read, the burner repeats the start-up cycle by briefly pressing the control box button.

WARNING

If the result is > 2 s, ignition will be retarded. Check the adjustment of the hydraulic brake of the gas valve, the air damper and the combustion head adjustment.

7.1 Notes on safety for the maintenance

The periodic maintenance is essential for the good operation, safety, yield and duration of the burner. It allows you to reduce consumption and polluting emissions and to keep the product in a reliable state over time.



The maintenance interventions and the calibration of the burner must only be carried out by qualified, authorised personnel, in accordance with the contents of this manual and in compliance with the standards and regulations of current laws.

Before carrying out any maintenance, cleaning or checking operations:



disconnect the electricity supply from the burner by means of the main switch of the system;



close the fuel interception tap;

7.2 Maintenance programme

Maintenance frequency

The gas combustion system should be checked **at least once a year** by a representative of the manufacturer or another specialised technician.

Checking and cleaning

Combustion

Carry out an analysis of the flue gases. Significant differences with respect to the previous measurements indicate the points where more care should be exercised during maintenance.

Gas leaks

Make sure that there are no gas leaks on the pipes between the gas meter and the burner.

Gas filter

Replace the gas filter when it is dirty.

Flame inspection window

Clean the glass of the flame inspection window.

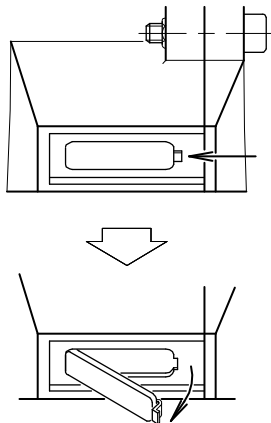


Fig. 37

D484

Combustion head

Open the burner and make sure that all the components of the combustion head are:

- undamaged;
- not deformed due to high temperature;
- free of ambient dirt or dust;
- free of rusted materials;
- adequately positioned.

Make sure that the gas outlet holes for the start-up, on the combustion head distributor, are free of dirt or rust deposits. If in doubt, disassemble the elbow 7)(Fig. 38).

Servomotor

Release cam 4)(Fig. 28) from the servomotor, rotating notch 2)(Fig. 28) by 90° and manually check that it rotates smoothly backwards and forwards. Constrain cam 4)(Fig. 28) again.

Burner

Check for excess wear or loose screws in the mechanisms controlling the air damper and the gas butterfly valve. Also make sure that the screws securing the electrical leads in the burner connections are fully tightened. Clean the outside of the burner, taking special care with the articulated couplings and cam 4)(Fig. 28).

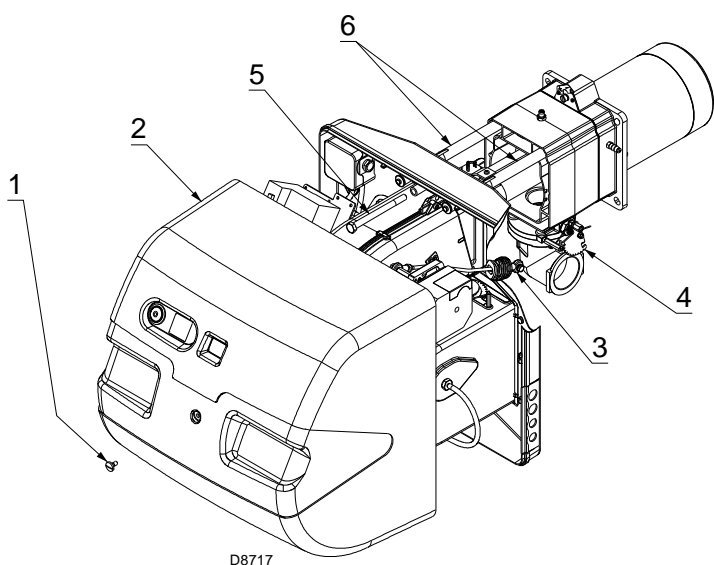
Combustion

Adjust the burner if the combustion values found at the beginning of the operation do not comply with the regulations in force or, at any rate, do not produce good combustion. Use the appropriate card to record the new combustion values; they will be useful for subsequent controls.

7.3 Opening the burner

- **Disconnect the electrical supply from the burner.**
- Remove screw 1) and take out hood 2).
- Disengage the articulated coupling 3) from the graduated sector 4).
- Remove screw 5), the split pin 9) and pull the burner back by about 100 mm on the slide bars 6. Disconnect the probe and electrode leads and then pull the burner fully back.
- Turn it as indicated in the diagram, and insert the split pin 9) into the hole of one of the two guides so that the burner remains in that position.

Now extract the gas distributor 7) after having removed the screw 8).



7.4 Closing the burner

- Push the burner up to approximately 100 mm from the pipe coupling.
- Remove the split pin 9) and push the burner until it is approx. 100 mm from the pipe coupling.
- Reinsert the cables and slide the burner as far as the stop.
- Replace the screws 5) and split pin 9) and carefully pull the probe and electrode cables outwards until they are slightly taut.
- Re-couple the articulated coupling 3) to the graduated sector 4).

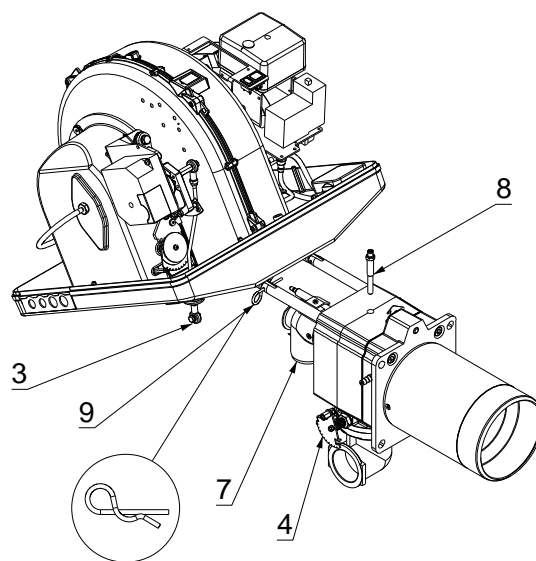


Fig. 38

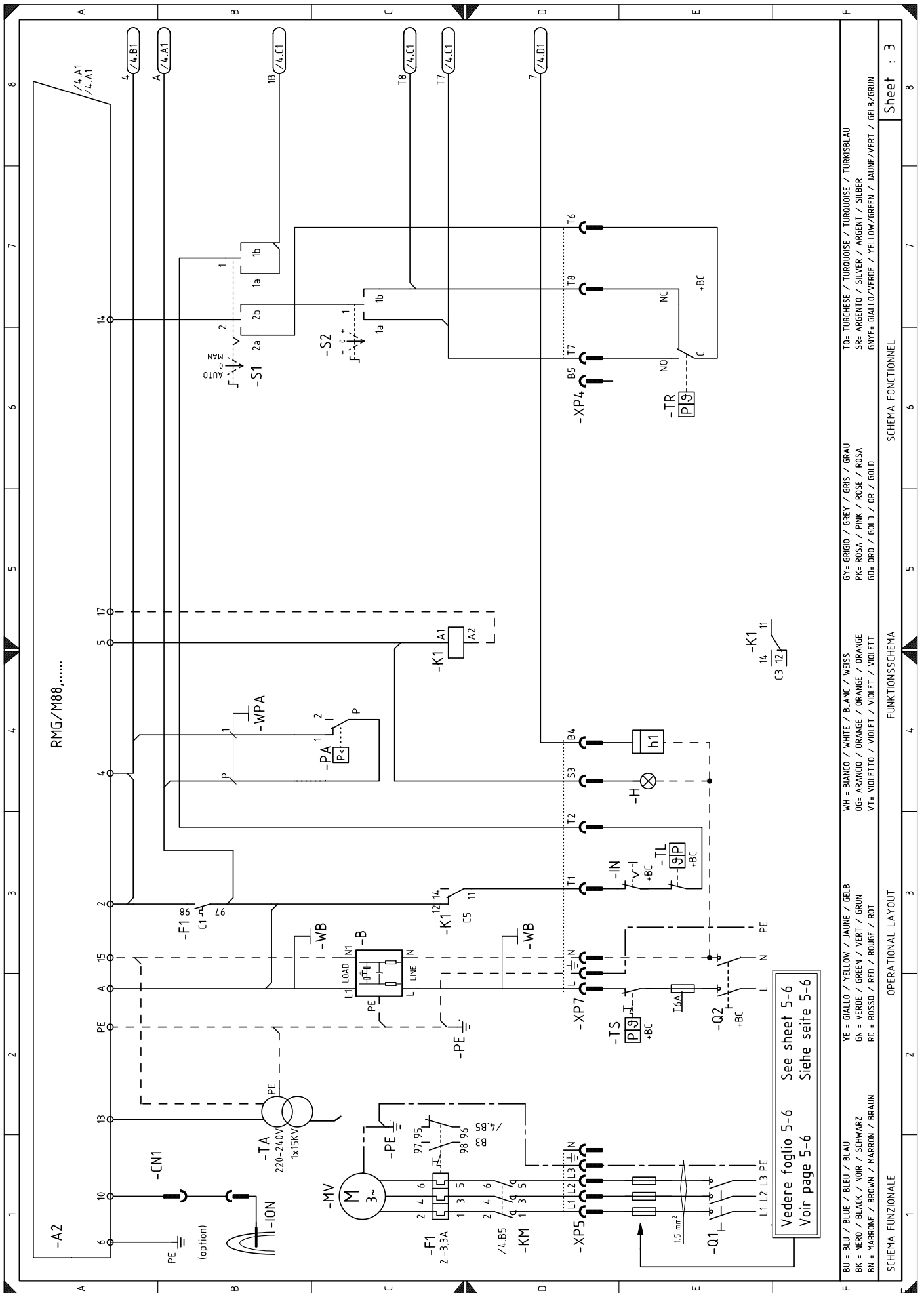
1	Index of layouts
2	Indication of references
3	Functional layout
4	Functional layout
5	Electrical wiring that the installer is responsible for
6	Functional layout RWF50...

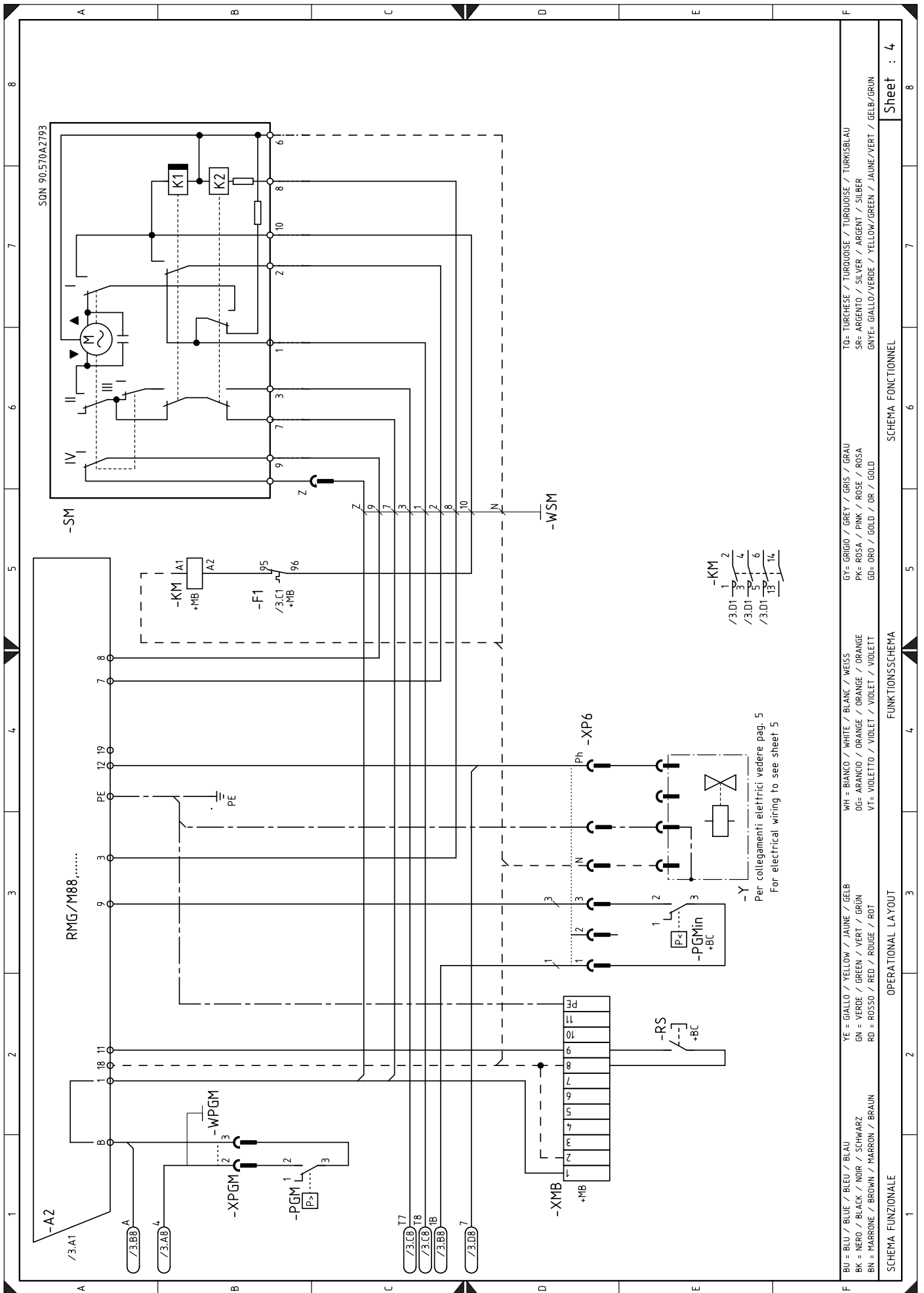
2 Indication of references



Wiring layout key

A	- Electrical control box	PA	- Air pressure switch
B	- Filter to protect against radio disturbance	PE	- Burner earth
B1	- Output regulator RWF	PGM	- Maximum gas pressure switch
BA	- Input in current DC 4...20 mA	PGMin	- Minimum gas pressure switch
BA1	- Input in current DC 4...20 mA to modify remote set-point	Q1	- Three-phase disconnecting switch
BP	- Pressure probe	Q2	- Single phase disconnecting switch
BP1	- Pressure probe	RS	- Remote burner reset button
BR	- Remote setpoint potentiometer	S1	- Off / automatic / manual selector
BTEXT	- External probe for climatic compensation of the set-point	S2	- Power increase - power reduction selector
BT1	- Thermocouple probe	SM	- Servomotor
BT2	- Probe Pt100, 2 wires	TA	- Ignition transformer
BT3	- Probe Pt100, 3 wires	TL	- Limit thermostat/pressure switch
BT4	- Probe Pt100, 3 wires	TR	- Adjustment thermostat/pressure switch
BV	- Input in voltage DC 0...10V	TS	- Safety thermostat/pressure switch
BV1	- Input in voltage DC 0...10V to modify remote setpoint	Y	- Gas adjustment valve + gas safety valve
+BB	- Burners components	YVPS	- Valve leak detection device
+BC	- Boiler components	XMB	- Terminal board
CN1	- Ionisation probe connector	XPGM	- Maximum gas pressure switch connector
F1	- Fan motor thermal relay	XP4	- 4 pole socket
H	- Remote lockout signalling	XP5	- 5 pole socket
H1	- Lockout YVPS	XP6	- 6 pole socket
IN	- Burner manual stop switch	XP7	- 7 pole socket
ION	- Ionisation probe	X4	- 4 pin plug
h1	- Hour counter	X5	- 5 pin plug
K1	- Relay	X6	- 6 pin plug
KM	- Motor contact maker	X7	- 7 pin plug
MV	- Fan motor	XRWF	- Terminal board RWF





-KM
 /3.01 1 2
 /3.01 3 4
 /3.01 5 6
 /3.01 7 8
 /3.01 9 10

Per collegamenti elettrici vedere pag. 5

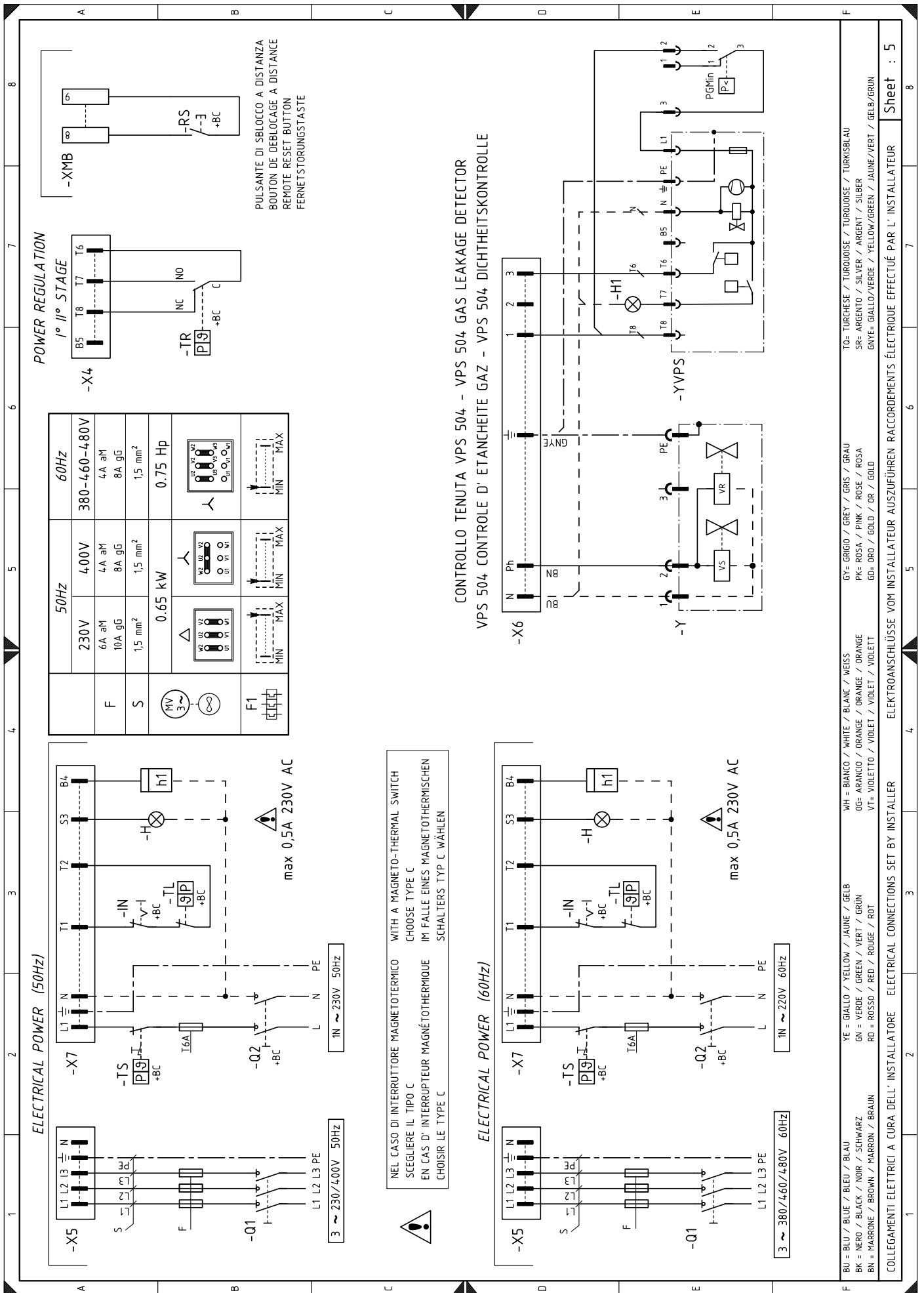
- BU = BLU / BLUE / BLEU / BLAU
- BK = NERO / BLACK / NOIR / SCHWARZ
- BN = MARRONE / BROWN / MARRON / BRAUN
- YE = GIALLO / YELLOW / JAUNE / GELB
- GN = VERDE / GREEN / VERT / GRÜN
- RD = ROSSO / RED / ROUGE / ROT
- WH = BIANCO / WHITE / BLANC / WEISS
- OG = ARANCIO / ORANGE / ORANGE / ORANGE
- VT = VIOLETTA / VIOLET / VIOLET / VIOLETT
- GR = GRIGIO / GREY / GRIS / GRAU
- PK = ROSA / PINK / ROSE / ROSA
- GD = ORO / GOLD / OR / GOLD
- TO = TURCHESE / TURQUOISE / TURBOISE / TURKISBLAU
- SR = ARGENTO / SILVER / ARGENT / SILBER
- GNYE = GIALLO/VERDE / YELLOW/GREEN / JAUNE/VERT / GELB/GRÜN

SCHEMA FUNZIONALE

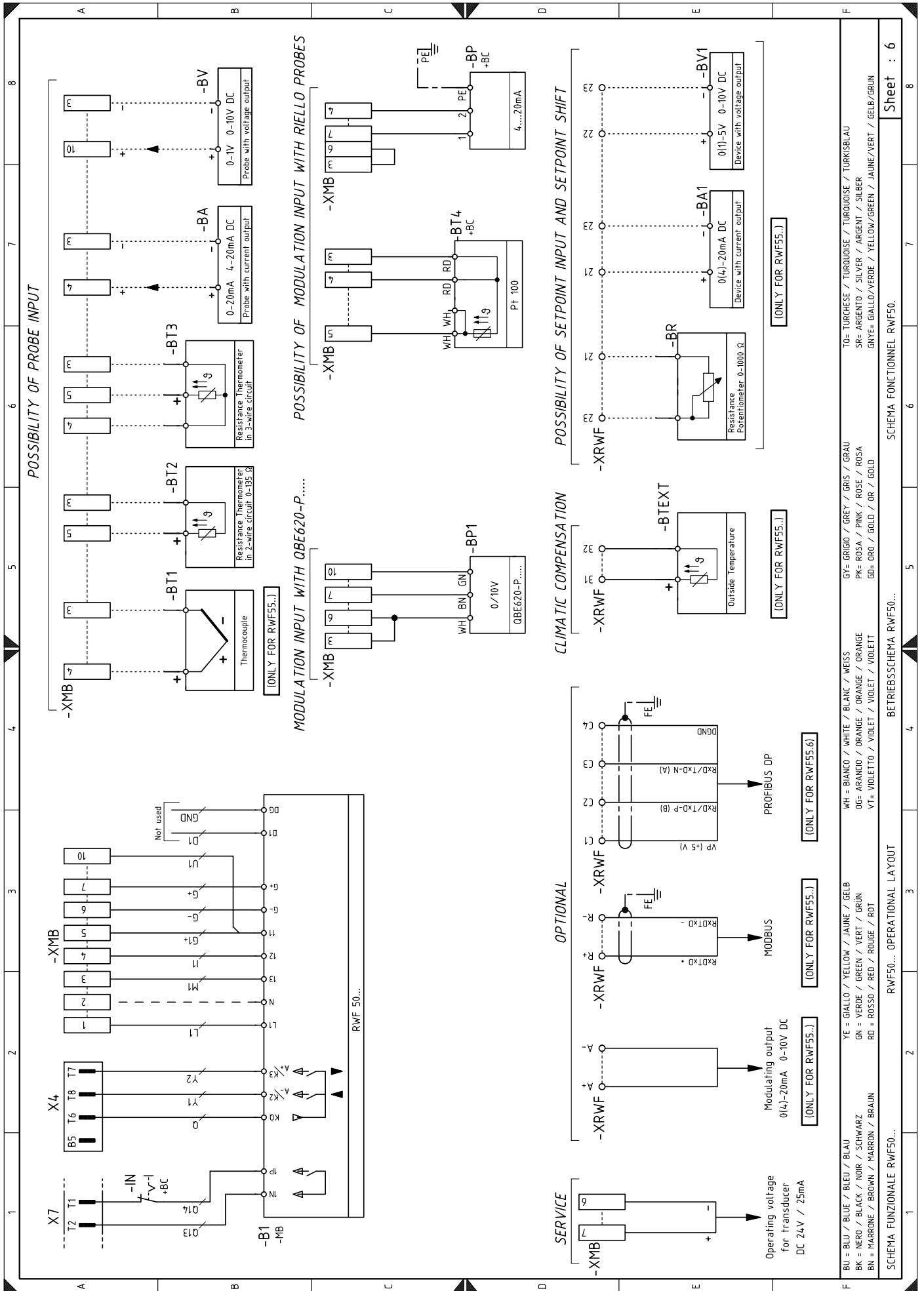
FUNKTIONSSCHEMA

SCHEMA FONCTIONNEL

Sheet : 4



NEL CASO DI INTERRUITTORE MAGNETOTERMICO WITH A MAGNETO-THERMAL SWITCH
SCEGLIERE IL TIPO C CHOOSE TYPE C
EN CAS D' INTERRUPTEUR MAGNÉTOHERMIQUE IM FALLE EINES MAGNETOTHERMISCHEN
CHOISIR LE TYPE C SCHALTERS TYP C WÄHLEN



Output power regulator kit for modulating operation

With the modulating operation, the burner continually adapts the power to the request for heat, ensuring great stability for the parameter controlled: temperature or pressure.

Two components should be ordered:

- the output power regulator to install on the burner;
- the probe to install on the heat generator.

Parameter to be checked		Probe		Output regulator	
	Adjustment field	Type	Code	Type	Code
Temperature	- 100...+ 500°C	PT 100	3010110	RWF50...	20082208
Pressure	0...2.5 bar	Output probe 4...20mA	3010213	RWF55...	20099657
	0...16 bar		3010214		

Potentiometer kit for the indication of load position

Burner	Kit code
RS 50/M MZ	3010109

RMG to PC interface adapter kit

Burner	Kit code
RS 50/M MZ	3002719

Clean contacts kit

Burner	Kit code
RS 50/M MZ	3010419

Gas trains in compliance with standard EN 676 (complete with valves, pressure adjuster and filter)

Gas train - burner adapters

Gas train			Gas train - burner adapter
Code	Model	Ø	Code
3970554	MB-DLE 410	1"1/4	3000824
3970144	MB-DLE 412	1"1/4	-
3970197	MB-DLE 412 CT	1"1/4	-
3970180	MB-DLE 415	1"1/2	-
3970198	MB-DLE 415 CT	1"1/2	-
3970181	MB-DLE 420	2"	3000822
3970182	MB-DLE 420 CT	2"	3000822
3970221	MBC-1200-SE-50	2"	3000822
3970225	MBC-1200-SE-50 CT	2"	3000822

Kit for LPG operation

Burner	Combustion head	Kit code	Obtainable output with the kit
RS 50/M MZ	TC - TL	20008173	125/285 ÷ 630 kW

Kit for TOWN GAS operation - not EC type-approved

Burner	Combustion head	Kit code
RS 50/M MZ	TC	3010285
RS 50/M MZ	TL	

Long head kit

Burner	Kit code	Standard head length	Head length obtained with the kit
RS 50/M MZ	3010078	216 mm	351 mm

Spacer kit

Burner	Kit code	Thickness
RS 50/M MZ	3010095	90 mm

Continuous purging kit

Burner	Kit Code
RS 50/M MZ	3010094

Soundproofing chamber

Burner	Kit code	Type	Reduction of noise average
RS 50/M MZ	3010403	C1/3	10 [dB(A)]

Vibration reduction kit (for flame inversion boilers)

Burner	Kit code
RS 50/M MZ	3010200

Radio disturbance protection kit

If the burner is installed in places particularly subject to radio disturbance (emission of signals exceeding 10 V/m) owing to the presence of an INVERTER, or in applications where the length of the thermostat connections exceeds 20 metres, a protection kit is available as an interface between the control box and the burner.

Burner	Kit code
RS 50/M MZ	3010386

The table shows minimum load losses along the gas supply line depending on the maximum burner output operation.

kW	1 Δp (mbar)		2 Δp (mbar)		3 Δp (mbar)									
	G 20	G 25	G 20	G 25	MB-DLE 410 (Rp 1" 1/4)		MB-DLE 412 (Rp 1" 1/4)		MB-DLE 415 (Rp 1" 1/2)		MB-DLE 420 (Rp 2")		MBC-1200-SE (Rp 2")	
					G 20	G 25	G 20	G 25	G 20	G 25	G 20	G 25	G 20	G 25
285	2.5	3.7	0.4	0.5	16.5	22.7	8.0	11.1	4.0	5.3	3.2	3.4	3.4	3.6
330	3.3	4.5	0.5	0.6	21.0	28.4	10.1	14.2	4.9	6.6	3.2	4.2	3.5	3.8
380	4.1	5.3	0.7	0.8	26.0	35.3	13.0	17.7	6.0	8.0	3.8	5.1	3.7	4.0
430	4.9	6.1	0.8	1.0	31.4	42.6	15.7	21.4	7.2	9.6	4.6	6.2	3.9	4.3
480	5.8	7.0	1.0	1.3	37.1		18.6	25.6	8.5	11.2	5.4	7.3	4.1	4.6
530	6.7	8.4	1.3	1.6	43.2		21.8	30.1	9.7	12.9	6.2	8.6	4.3	4.9
580	7.6	9.9	1.5	1.9			25.2	34.5	11.0	14.6	7.2	9.8	4.5	5.2
630	8.5	11.3	1.8	2.2			28.8	39.1	12.4	16.4	8.2	11.1	4.8	5.5

The values shown in the tables refer to:

- Natural gas G 20 PCI 9.45 kWh/Sm³ (8.2 Mcal/Sm³)
- Natural gas G 25 PCI 8.13 kWh/Sm³ (7.0 Mcal/Sm³)

Column 1

Load loss at combustion head.

Gas pressure measured at the test point 1)(Fig. 39), with:

- Combustion chamber at 0 mbar;
- Burner working at maximum output;
- Combustion head adjusted according to the diagram of Fig. 16.

Column 2

Load loss at gas butterfly valve 2)(Fig. 39) with maximum opening: 90°.

Column 3

Load loss at train 3)(Fig. 39) including:

- adjustment valve (VR)
- safety valve (VS) (both fully open)
- pressure adjuster (R)
- filter (F)

NOTE

To know the approximate output at which the burner is operating at its maximum:

- Subtract the combustion chamber pressure from the gas pressure measured at test point 1)(Fig. 39).
- Find, in the table relating to the burner concerned, column 1, the pressure value closest to the result you want.
- Read off the corresponding output on the left.

Example with natural gas G 20

- Maximum output operation
 - Ring nut 2)(Fig. 15) adjusted as in the diagram of (Fig. 16)
 - Gas pressure at test point 1)(Fig. 39) = 8 mbar
 - Pressure in combustion chamber = 2.2 mbar
- $$8 - 2.2 = 5.8 \text{ mbar}$$

A pressure of 5.8 mbar, column 1, corresponds in the table to an output of 480 kW.

This value serves as a rough guide; the effective output must be measured at the gas meter.

NOTE

To know the required gas pressure at test point 1)(Fig. 39), set the MAX output required from the burner operation:

- Find the nearest output value in the table for the burner in question.
- Read, on the right column (1) the socket pressure 1)(Fig. 39).
- Add this value to the estimated pressure in the combustion chamber.

Example with natural gas G 20

- Required burner maximum output operation: 480 kW
 - Ring nut 2)(Fig. 15) adjusted as in the diagram of (Fig. 16)
 - Gas pressure at output of 480 kW = 5.8 mbar
 - Pressure in combustion chamber = 2.2 mbar
- $$5.8 + 2.2 = 8 \text{ mbar}$$
- pressure required at test point 1)(Fig. 39).

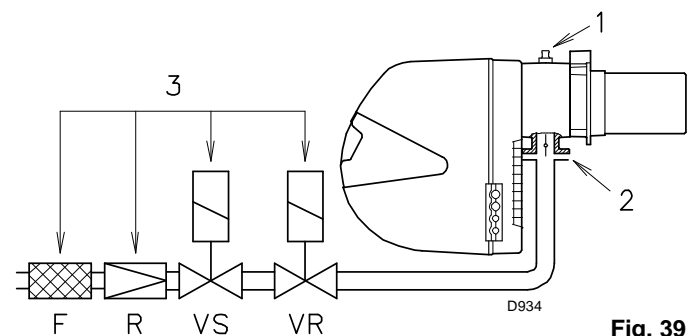


Fig. 39

The firing rate of the burner shown in the manual is valid for an ambient temperature of 20°C and an altitude of 0 m above sea level (barometric pressure around 1013 mbar).

It may be that a burner has to operate with combustion air at a higher temperature and/or higher altitudes.

The heating of the air and the increase in altitude produce the same effect: the expansion of the air volume (i.e. the reduction of its density).

The delivery of the burner fan remains essentially the same, but the oxygen per m³ of air, and the thrust (discharge head) of the fan are reduced.

It is therefore important to know if the maximum output requested from the burner at a determinate combustion chamber pressure remains within the firing rate of the burner even with the changed temperature and altitude conditions.

To check it, proceed as follows:

- 1 -Find the corrective factor F (relating to the air temperature and altitude of the system) in the table alongside.
- 2 -Divide the output Q required from the burner by F to obtain the equivalent output Qe:

$$Q_e = Q : F \text{ (kW)}$$

- 3 -In the firing rate of the burner, mark the work point identified by:

Qe = equivalent output

H1 = pressure in combustion chamber

point A that must remain within the firing rate (Fig. 40).

- 4 -Trace a vertical line from point A, Fig. 40, and find the maximum pressure H2 of the firing rate.

- 5 -Multiply H2 by F to obtain the maximum lowered pressure H3 of the firing rate

$$H3 = H2 \times F \text{ (mbar)}$$

If H3 is greater than H1, as in Fig. 40, the burner can produce the delivery requested.

If H3 is less than H1, it is necessary to reduce the output of the burner. The reduction in output is accompanied by a reduction in the combustion chamber pressure:

Qr = reduced output

H1r = reduced pressure

$$H1r = H1 \times \left(\frac{Qr}{Q}\right)^2$$

Example, 5% reduction in output:

$$Qr = Q \times 0.95$$

$$H1r = H1 \times (0.95)^2$$

With the new values - Qr and H1r - repeat steps 2 - 5.

Warning:

the combustion head should be adjusted in relation to the equivalent output Qe.

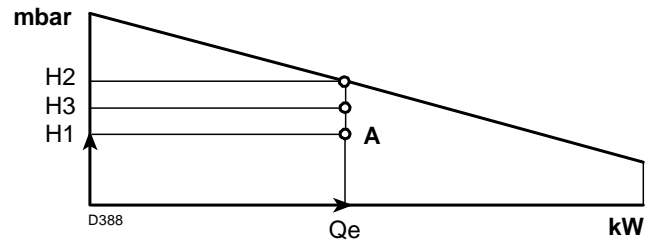

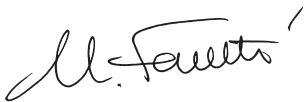



Fig. 40

Altitude m. above sea level	Average barometric pressure mbar	F							
		Air temperature °C							
		0	5	10	15	20	25	30	40
0	1013	1.087	1.068	1.049	1.031	1.013	0.996	0.980	0.948
100	1000	1.073	1.054	1.035	1.017	1.000	0.983	0.967	0.936
200	989	1.061	1.042	1.024	1.006	0.989	0.972	0.956	0.926
300	978	1.050	1.031	1.013	0.995	0.978	0.962	0.946	0.916
400	966	1.037	1.018	1.000	0.983	0.966	0.950	0.934	0.904
500	955	1.025	1.007	0.989	0.972	0.955	0.939	0.923	0.894
600	944	1.013	0.995	0.977	0.960	0.944	0.928	0.913	0.884
700	932	1.000	0.982	0.965	0.948	0.932	0.916	0.901	0.872
800	921	0.988	0.971	0.954	0.937	0.921	0.906	0.891	0.862
900	910	0.977	0.959	0.942	0.926	0.910	0.895	0.880	0.852
1000	898	0.964	0.946	0.930	0.914	0.898	0.883	0.868	0.841
1200	878	0.942	0.925	0.909	0.893	0.878	0.863	0.849	0.822
1400	856	0.919	0.902	0.886	0.871	0.856	0.842	0.828	0.801
1600	836	0.897	0.881	0.866	0.851	0.836	0.822	0.808	0.783
1800	815	0.875	0.859	0.844	0.829	0.815	0.801	0.788	0.763
2000	794	0.852	0.837	0.822	0.808	0.794	0.781	0.768	0.743
2400	755	0.810	0.796	0.782	0.768	0.755	0.742	0.730	0.707
2800	714	0.766	0.753	0.739	0.726	0.714	0.702	0.690	0.668
3200	675	0.724	0.711	0.699	0.687	0.675	0.664	0.653	0.632
3600	635	0.682	0.669	0.657	0.646	0.635	0.624	0.614	0.594
4000	616	0.661	0.649	0.638	0.627	0.616	0.606	0.596	0.577

Déclaration de conformité d'après ISO / IEC 17050-1		
Fabricant:	RIELLO S.p.A.	
Adresse:	Via Pilade Riello, 7 37045 Legnago (VR)	
Produit:	Brûleur gaz à air soufflé	
Modèle:	RS 50/M MZ	
Ces produits sont conformes aux Normes Techniques suivantes:		
EN 676		
EN 12100		
et conformément aux dispositions des Directives Européennes:		
GAD	90/396/CEE	Directive Appareils à Gaz
MD	2006/42/CE	Directive Machines
LVD	2006/95/CE	Directive Basse Tension
EMC	2004/108/CE	Compatibilité Électromagnétique
Ces produits sont marqués comme indiqué par la suite:		
 CE-0085AQ0709 (826T1)		

La qualité est garantie grâce à un système de qualité et de gestion certifié conforme à UNI EN ISO 9001.

Déclaration du constructeur			
RIELLO S.p.A. déclare que les produits suivants respectent les valeurs limite d'émission de NOx imposés par la norme allemande «1. BImSchV revision 26.01.2010».			
Produit	Type	Modèle	Puissance
Brûleur gaz à air soufflé	826T1 - 826T80	RS 50/M MZ	80/285 - 630 kW
Legnago, 21.05.2015	Directeur Général RIELLO S.p.A. - Direction Brûleurs Ing. U. Ferretti	Directeur Recherche et Développement RIELLO S.p.A. - Direction Brûleurs Ing. F. Comencini	
			

Section		Page
1	Informations et avertissements généraux	3
	1.1 Informations sur le manuel d'instructions	3
	1.2 Garantie et responsabilités	3
2	Sécurité et prévention	4
	2.1 Avant propos	4
	2.2 Formation du personnel	4
3	Description technique du brûleur	5
	3.1 Désignation brûleurs	5
	3.2 Modèles disponibles	5
	3.3 Catégories du brûleur - Pays de destination	5
	3.4 Données techniques	6
	3.5 Poids brûleur	6
	3.6 Dimensions d'encombrement	6
	3.7 Plages de puissance	7
	3.8 Composants du brûleur	8
	3.9 Matériel fourni	8
	3.10 Boîte de contrôle du rapport air / combustible	9
	3.11 Servomoteur	9
4	Installation	10
	4.1 Indications concernant la sécurité pour l'installation	10
	4.2 Manutention	10
	4.3 Contrôles préliminaires	10
	4.4 Position de fonctionnement	11
	4.5 Fixation du brûleur à la chaudière	11
	4.6 Réglage de la tête de combustion	13
	4.7 Montage de la rampe gaz	15
	4.8 Raccordements électriques	16
	4.9 Réglage du relais thermique	17
5	Mise en fonction, réglage et fonctionnement du brûleur	18
	5.1 Indications concernant la sécurité pour la première mise en fonction	18
	5.2 Opérations avant la mise en fonction	18
	5.3 Démarrage du brûleur	19
	5.4 Allumage du brûleur	19
	5.5 Réglage du brûleur	19
	5.6 Séquence de fonctionnement du brûleur	22
	5.7 Extinction du brûleur en fonctionnement	22
	5.8 Arrêt du brûleur	22
	5.9 Mesurage du courant d'ionisation	23
	5.10 Contrôle de la pression de l'air et du gaz à la tête de combustion	23
	5.11 Contrôles finaux (brûleur en fonctionnement)	23
6	Inconvénients - Causes - Remèdes	24
	6.1 Fonctionnement normal / temps de détection flamme	25
7	Entretien	26
	7.1 Indications concernant la sécurité pour l'entretien	26
	7.2 Programme d'entretien	26
	7.3 Ouverture brûleur	27
	7.4 Fermeture brûleur	27
A	Annexe - Schéma tableau électrique	28
B	Annexe - Accessoires (sur demande)	33
C	Annexe - Pression d'alimentation du gaz	35
D	Annexe - Plage de puissance en fonction de la densité de l'air	36

1.1 Informations sur le manuel d'instructions

Introduction

Le manuel d'instruction est fourni avec le brûleur :

- il est une partie intégrante et fondamentale du produit et ne doit jamais être séparé de ce dernier; il doit toujours être conservé avec soin pour pouvoir être consulté au besoin et il doit accompagner le brûleur si celui-ci doit être cédé à un autre propriétaire ou utilisateur, ou bien s'il doit être déplacé sur une autre installation. S'il a été endommagé ou égaré demander une autre copie au Service Technique Après-vente **RIELLO** de Zone;
- il a été réalisé pour être utilisé par du personnel compétent;
- il donne des indications et des informations importantes sur la sécurité de l'installation, la mise en fonction, l'utilisation et l'entretien du brûleur.

Symboles utilisés dans le manuel

Dans certaines parties du manuel on trouve des signaux triangulaires indiquant le DANGER. Faire très attention car ils signalent des situations de danger potentiel.

DANGERS DE CARACTÈRE GÉNÉRIQUE

Il existe **trois niveaux de danger** comme indiqué ci-après.



DANGER

Niveau de danger le plus élevé !

Ce symbole indique les opérations qui peuvent causer des lésions graves, la mort ou des risques à long terme pour la santé, si elles ne sont pas effectuées correctement.



ATTENTION

Ce symbole indique les opérations qui peuvent causer des lésions graves, la mort ou des risques à long terme pour la santé, si elles ne sont pas effectuées correctement.



PRUDENCE

Ce symbole indique les opérations qui peuvent causer des dommages aux personnes ou à la machine, si elles ne sont pas effectuées correctement.

1.2 Garantie et responsabilités

RIELLO garantit ses produits neufs à compter de la date de l'installation conformément aux normes en vigueur et/ou en accord avec le contrat de vente. Lorsque l'on effectue la première mise en fonction, il est indispensable de contrôler si le brûleur est intact et complet.



ATTENTION

Les causes d'annulation de **RIELLO** la garantie du brûleur de la part de sont le non-respect des indications fournies dans ce manuel, la négligence opérationnelle, une mauvaise installation et l'avoit effectuées des modifications sans autorisation.

Et en particulier les droits à la garantie et à la responsabilité sont déçus, en cas de dommages à des personnes et/ou des choses, si les dommages sont dus à l'une ou plusieurs des causes suivantes :

- installation, mise en fonction, utilisation et entretien du brûleur incorrects;
- utilisation inappropriée, erronée et déraisonnable du brûleur;
- intervention de personnel non autorisé;
- exécution de modifications non autorisées sur l'appareil;
- utilisation du brûleur avec des dispositifs de sécurité

défectueux, appliqués de manière incorrecte et / ou qui ne fonctionnent pas;

- installation de composants supplémentaires non testés en même temps que le brûleur;
- alimentation du brûleur avec des combustibles non adaptés;
- défauts dans l'installation d'alimentation en combustible;
- utilisation du brûleur même après avoir constaté une erreur et / ou une anomalie;
- réparations et / ou révisions effectuées de manière incorrecte;
- modification de la chambre de combustion moyennant l'introduction d'inserts qui empêchent la flamme de se développer régulièrement comme établi au moment de la fabrication;
- une surveillance inappropriée et insuffisante ainsi qu'un manque de soin des composants du brûleur les plus sujets à usure;
- utilisation de composants non originaux, **RIELLO** soit des pièces détachées, des kits, des accessoires et des composants en option;
- causes de force majeure.

RIELLO décline en outre toute responsabilité pour le non respect de tout ce qui a été reporté dans le manuel.

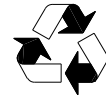
DANGER COMPOSANTS SOUS TENSION



DANGER

Ce symbole indique les opérations qui comportent des secousses électriques aux conséquences mortelles.

Autres symboles



PROTECTION DE L'ENVIRONNEMENT

Ce symbole donne des indications pour utiliser la machine en respectant l'environnement.



Ce symbole indique qu'il s'agit d'une liste.

Abréviations utilisées

Chap.	Chapitre
Fig.	Figure
P.	Page
Sect.	Section
Tab.	Tableau

Livraison de l'installation et du manuel d'instruction

Lorsque l'on reçoit l'installation il faut que :

- Le manuel d'instruction soit remis à l'utilisateur par le constructeur, avec la recommandation de le conserver dans la pièce où le générateur de chaleur doit être installé.
- Sur le manuel d'instruction soient reportés : le numéro d'immatriculation du brûleur; l'adresse et le numéro de téléphone du Centre d'Assistance à la clientèle;
- Le fournisseur de l'installation informe soigneusement l'utilisateur à propos de :
 - l'utilisation de l'installation,
 - les éventuels essais pouvant être nécessaires avant l'activation de l'installation,
 - l'entretien et la nécessité de faire contrôler l'installation au moins une fois par an par une personne chargée de cette opération par le Constructeur ou bien par un autre technicien spécialisé. Pour garantir un contrôle périodique, **RIELLO** il est recommandé de stipuler un Contrat d'Entretien.

2.1 Avant propos

Les brûleurs **RIELLO** ont été conçus et réalisés conformément aux normes et directives en vigueur, en appliquant les règles techniques de sécurité connues et en prévoyant toutes les situations de danger potentielles.

Il est cependant nécessaire de tenir compte du fait qu'une utilisation imprudente ou maladroite de l'appareil peut provoquer des situations avec risque de mort pour l'utilisateur ou des tiers, ainsi que l'endommagement du brûleur ou d'autres biens. La distraction, la légèreté et un excès de confiance sont souvent la cause d'accidents; tout comme peuvent l'être la fatigue et l'état de somnolence.

Il est nécessaire de prendre en considération ce qui suit :

- Le brûleur n'est destiné qu'à l'utilisation pour laquelle il est prévu. Toute autre utilisation est considérée comme impropre et donc dangereuse.

- Il n'est possible de remplacer que les parties indiquées par le constructeur.

2.2 Formation du personnel

L'utilisateur est la personne, ou l'organisme ou la société qui a acheté la machine et dont l'intention est de l'utiliser conformément aux usages pour lesquels elle a été réalisée. C'est lui qui a la responsabilité de la machine et de la formation des personnes qui travaillent dessus.

L'utilisateur :

- s'engage à ne confier la machine qu'à du personnel qualifié ou formé à ce propos;
- est tenu à prendre toutes les mesures nécessaires pour éviter que des personnes non autorisées puissent accéder à la machine;
- s'engage à informer son personnel de manière appropriée pour qu'il puisse appliquer et respecter toutes les prescriptions de sécurité. Dans ce but il s'engage à ce qu'en ce qui le concerne chacun connaisse les instructions et les prescriptions de sécurité;
- doit informer le Constructeur de la présence de défauts ou mauvais fonctionnements des systèmes de protection

En particulier :

il peut être appliqué à des chaudières à eau, à vapeur, à huile diathermique et sur d'autres dispositifs expressément prévus par le constructeur;

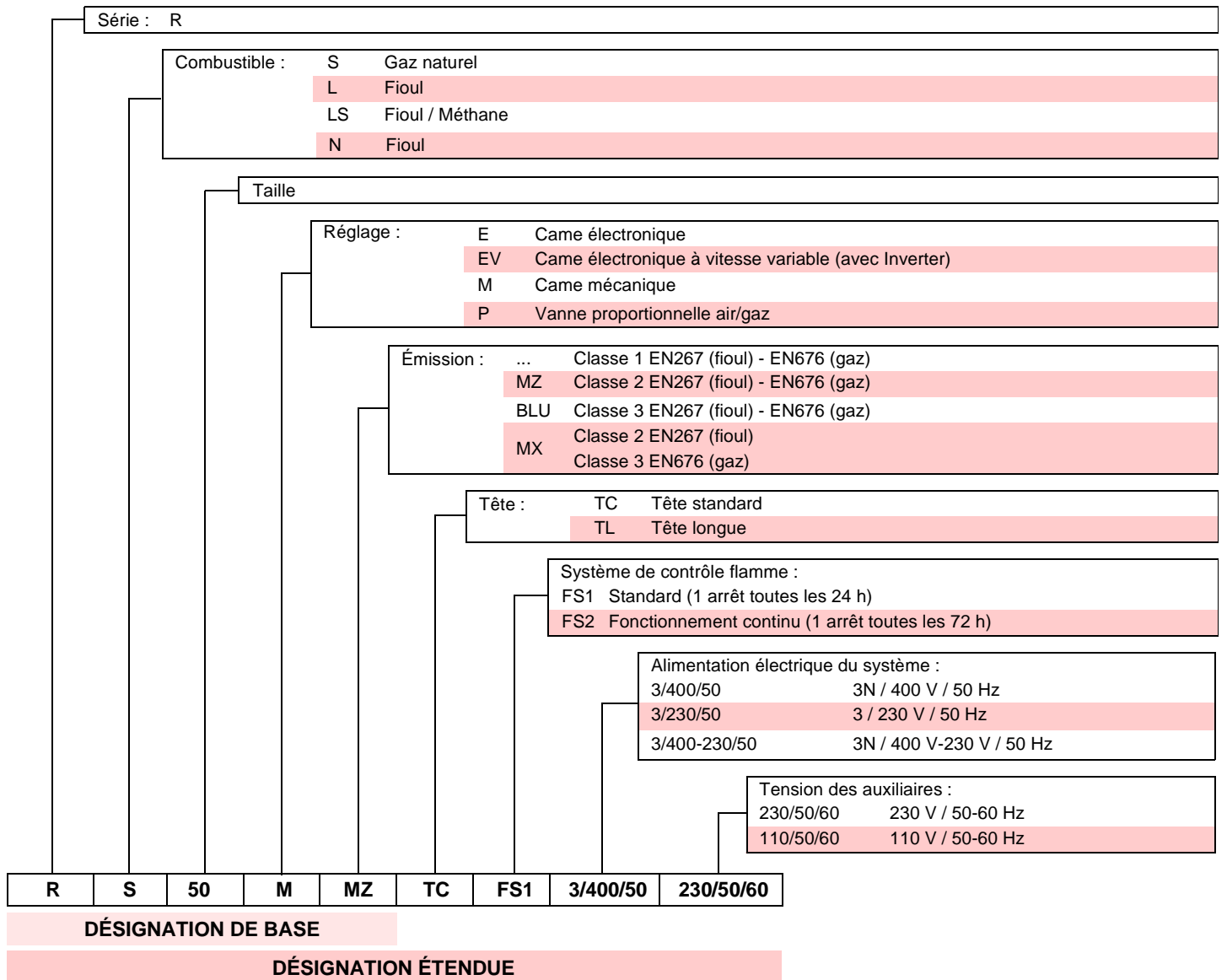
le type et la pression du combustible, la tension et la fréquence du courant électrique d'alimentation, le débit maximum et minimum auquel le brûleur est réglé, la pressurisation de la chambre de combustion, les dimensions de la chambre de combustion, la température ambiante doivent se trouver dans les valeurs limite indiquées dans le manuel d'instructions.

- Il est interdit de modifier le brûleur pour en altérer les performances et les destinations.
- L'utilisation du brûleur doit se faire dans des conditions de sécurité technique parfaites. Tout dérangement éventuel pouvant compromettre la sécurité doit être éliminé le plus rapidement possible.
- Il est interdit d'ouvrir ou de modifier sans autorisation les composants du brûleur, excepté les parties indiquées pour l'entretien.

contre les accidents, ainsi que de chaque situation de danger probable.

- Le personnel doit toujours utiliser les moyens de protection individuelle prévus par la loi et suivre tout ce qui est reporté dans ce manuel.
- Le personnel doit respecter toutes les indications signalant la présence de danger et de demande d'attention signalées sur la machine.
- Le personnel ne doit jamais effectuer de sa propre initiative d'opérations ou interventions qui ne sont pas de sa compétence.
- Le personnel est tenu à signaler à son supérieur tous les problèmes ou situations de danger pouvant se créer.
- Le montage de pièces d'autres marques ou d'éventuelles modifications peuvent entraîner une variation des caractéristiques de la machine et donc nuire à sa sécurité opérationnelle. Le Constructeur décline donc toute responsabilité pour tous les dommages pouvant surgir à cause de l'utilisation de pièces non originales.

3.1 Désignation brûleurs



3.2 Modèles disponibles

Désignation	Tension	Code
RS 50/M MZ TC	3 ~ 400/230V 50Hz	3781620 - 3781622
RS 50/M MZ TL	3 ~ 400/230V 50Hz	3781621 - 3781623
RS 50/M MZ TC	3 ~ 380/460/480V 60Hz	3781682
RS 50/M MZ TL	3 ~ 380/460/480V 60Hz	3781683

3.3 Catégories du brûleur - pays de destination

Pays de destination	Catégorie gaz
AT - CH - CZ - DK - EE - ES - FI - GB - GR - HU - IE IS - IT - LT - LV - NO - PT - SE - SI - SK - TR	I2E
NL	I2L
FR	I2Er
DE	I2ELL
BE	I2E(R)B
LU - PL	I2E

3.4 Données techniques

Modèles			RS 50/M MZ	
Type			826T1	826T80
Puissance (1)	maximale	kW	285 - 630	
		Mcal/h	245 - 542	
	minimale	kW	80	
		Mcal/h	69	
Combustible			Gaz naturel : G20 - G23 - G25	
Pression de gaz à la puissance max. (2) - Gaz : G20/G25		mbar	8,5 - 11,3	
Fonctionnement			Intermittent (1 arrêt min. en 24 heures)	
Emploi standard			Chaudières à eau, à vapeur, à huile diathermique	
Température ambiante		°C	0 - 40	
Température air de combustion		°C max.	60	
Alimentation électrique générale			3 ~ 400/230V 50Hz	3 ~ 380/460/480V 60Hz
Alimentation électrique du circuit auxiliaire			1N ~ 230V 50Hz	1N ~ 220V 60Hz
Moteur ventilateur (caractéristiques)	rpm		2800	3400
	V		220/240 - 380/415	208/230 - 380/460/480
	kW		0,65	0,56
Courant de fonctionnement	A		3 - 1,7	3,6 (λλ) - 1,8 (λ)
Courant de pointe	A		13,5 - 7,7	22 - 20,5
Transformateur d'allumage	V1 - V2		230 V - 1 x 8 kV	
	I1 - I2		1 A - 20 mA	
Puissance électrique absorbée		kW max.	0,75	0,66
Degré de protection			IP 44	
Niveau de bruit (3)	Pression sonore	dB(A)	72	
	Puissance sonore		83	

- (1) Conditions de référence: Température ambiante 20°C - Température gaz 15°C - Pression barométrique 1013 mbar - Altitude 0 m au-dessus du niveau de la mer.
 (2) Pression de gaz à la prise du manchon 8) (Fig. 5) avec pression zéro dans la chambre de combustion et à la puissance maximale du brûleur.
 (3) Pression sonore mesurée dans le laboratoire de combustion du constructeur, avec le brûleur fonctionnant sur la chaudière d'essai, à la puissance maximale. La puissance sonore est mesurée grâce à la méthode en « champ libre », prévue par la norme EN 15036, et conformément à la précision de mesure « Précision : Catégorie 3 », comme décrit par norme EN ISO 3746.

3.5 Poids brûleur

Le poids du brûleur avec son emballage est indiqué dans le tableau.

mm	kg
RS 50/M MZ	41

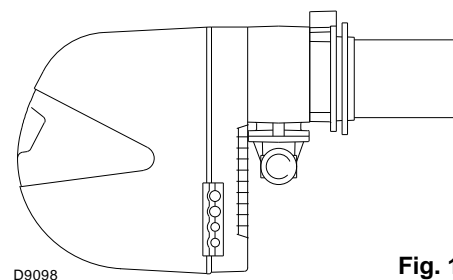


Fig. 1

3.6 Dimensions d'encombrement

L'encombrement du brûleur est indiqué dans la Fig. 2. Il faut tenir compte du fait que, pour inspecter la tête de combustion, il faut reculer la partie arrière du brûleur sur les glissières pour pouvoir ouvrir celui-ci. L'encombrement représenté par le brûleur ouvert correspond à la cote H.

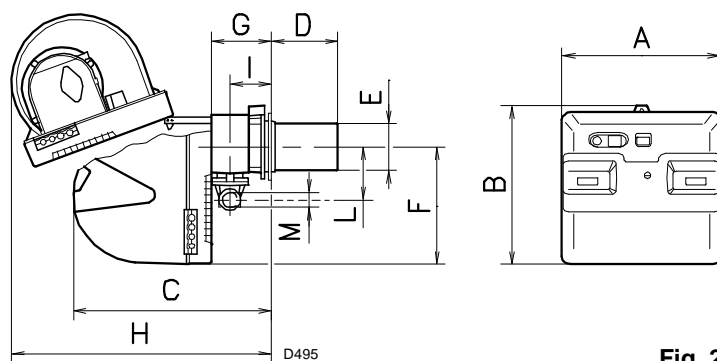


Fig. 2

mm	A	B	C	D(1)	E	F	G	H	I	L	M
RS 50/M MZ	476	474	580	216 - 351	152	352	164	810	108	168	1"1/2

(1) Buse: courte-longue

3.7 Plages de puissance

La **puissance maximale** est choisie dans la zone A du diagramme.

La **puissance minimale** ne doit pas être inférieure à la limite minimale du diagramme.

Attention

La plage de puissance a été obtenue à la température ambiante de 20°C, à la pression barométrique de 1013 mbar (environ 0 m s.n.m.) et avec la tête de combustion réglée de la manière indiquée au chapitre 4.6.

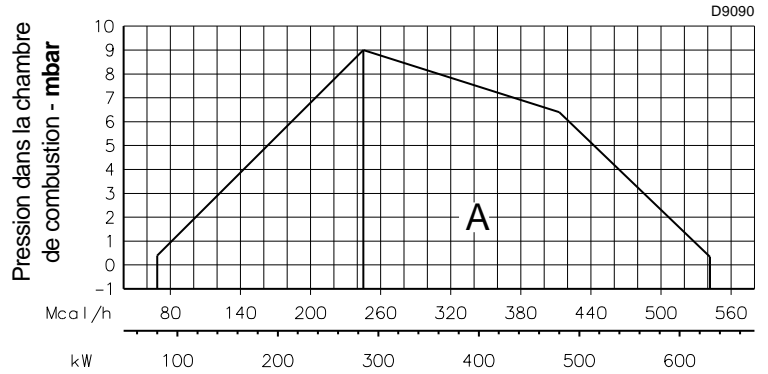


Fig. 3

Les plages de puissance ont été établies sur des chaudières d'essai spéciales, selon la norme EN 676. Nous reportons en Fig. 4 le diamètre et la longueur de la chambre de combustion d'essai.

Exemple

Puissance 407 kW (350 Mcal/h):
diamètre 60 cm,
longueur 1,5 m.

L'accouplement est garanti lorsque la chaudière est homologuée CE; pour des chaudières ou des fours avec des chambres de combustion ayant des dimensions différentes de celles reportées dans le diagramme de la Fig. 4 des contrôles préliminaires sont indispensables.

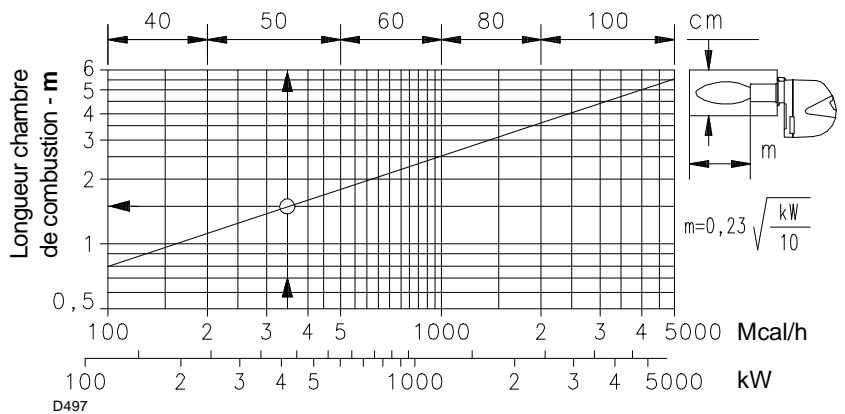


Fig. 4

3.8 Composants du brûleur

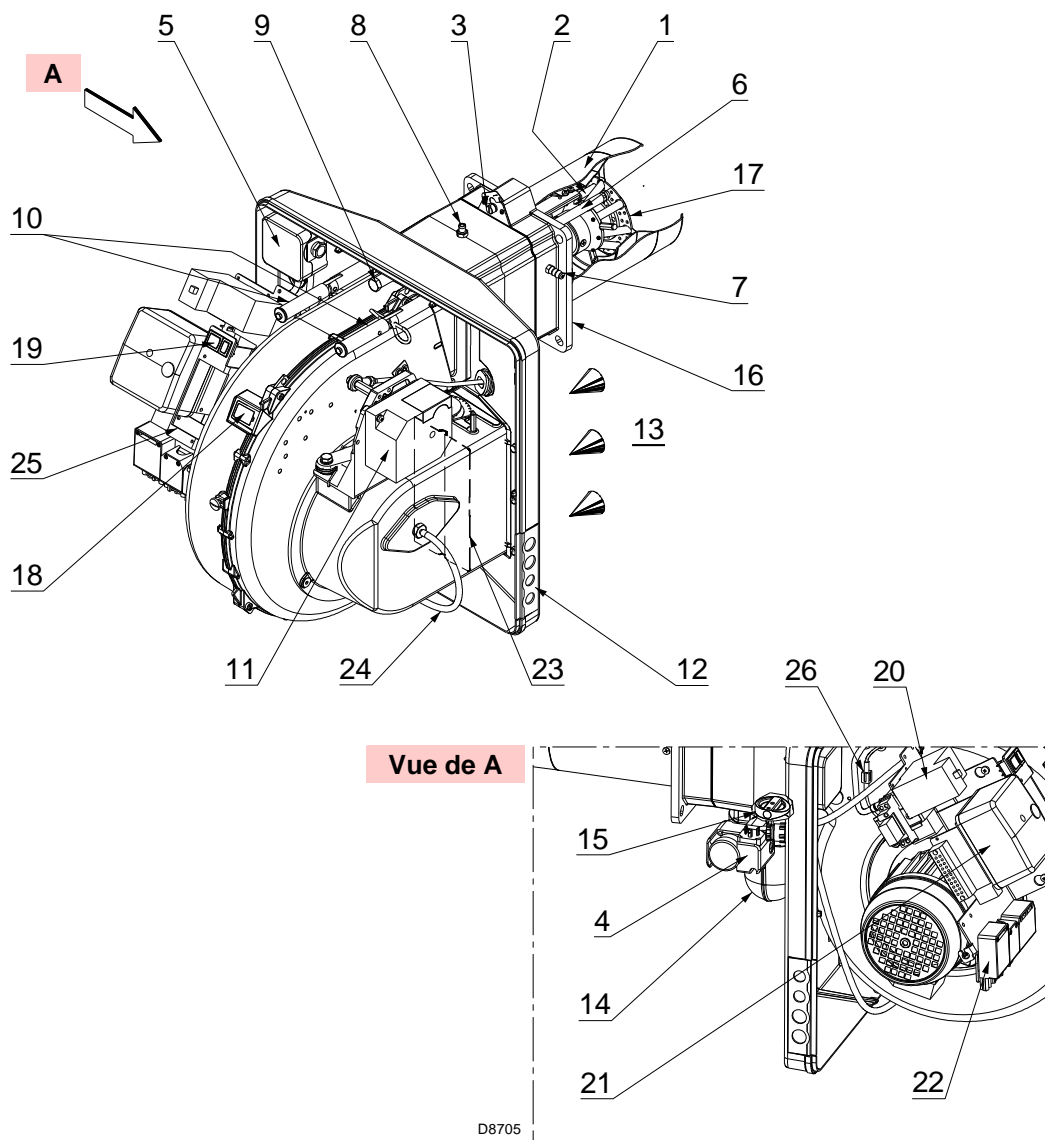


Fig. 5

- | | | |
|--|---|--|
| 1 Tête de combustion | Lors de l'arrêt du brûleur ce volet d'air est totalement fermé pour réduire au minimum les dispersions de chaleur de la chaudière dues au tirage de la cheminée qui aspire l'air par la bouche d'aspiration du ventilateur. | ment automatique - manuel - éteint
Un bouton pour: augmentation - diminution de puissance |
| 2 Electrode d'allumage | | 20 Contacteur moteur et relais thermique avec bouton de réarmement |
| 3 Vis pour réglage tête de combustion | | 21 Coffret de sécurité avec signal lumineux de mise en sécurité et bouton de réarmement |
| 4 Pressostat gaz maximum | | 22 Bornier de raccordement électrique |
| 5 Pressostat air (type différentiel) | | 23 Volet d'air |
| 6 Sonde de contrôle présence flamme | | 24 Tuyau raccordant l'aspiration du ventilateur au pressostat air |
| 7 Prise de pression air | | 25 Bride pour l'application du régulateur de puissance RWF |
| 8 Prise de pression gaz et vis de fixation tête | 12 Plaquette prévue avec 4 trous passe-câbles | 26 Fiche-prise sur câble sonde d'ionisation |
| 9 Vis de fixation ventilateur au manchon | 13 Entrée d'air dans le ventilateur | |
| 10 Guides pour ouverture brûleur et inspection de la tête de combustion | 14 Canalisation d'arrivée du gaz | |
| 11 Servomoteur de commande de la vanne papillon du gaz et, par came à profil variable, du volet d'air. | 15 Vanne papillon gaz | |
| | 16 Bride de fixation à la chaudière | |
| | 17 Disque de stabilité flamme | |
| | 18 Viseur flamme | |
| | 19 Un interrupteur pour: fonctionne- | |

3.9 Matériel fourni

Le brûleur est fourni équipé de:

- Bride pour rampe gaz
- Joint pour bride
- 4 vis pour fixer la bride M8x25
- 4 vis pour fixer la bride du brûleur à la chaudière M8x25
- Écran thermique
- 6 passe-câbles pour raccordement électrique
- Manuel d'instructions
- Catalogue de pièces détachées

3.10 Boîte de contrôle du rapport air / combustible

Avant propos

La boîte de contrôle RMG/M 88.62... qui équipe les brûleurs série **RS** est conçue pour contrôler et démarrer les brûleurs gaz par air soufflé à fonctionnement intermittent.

Conformément à:

- Norme technique EN676 (brûleurs gaz)
- Norme technique EN298 (boîtes de contrôle gaz)



Fig. 6



Toutes les opérations d'installation, entretien et démontage doivent être effectuées avec le réseau électrique débranché.

Pour éviter des dommages sur des choses ou des personnes, ne pas ouvrir ou modifier la boîte de contrôle.



L'installation de la boîte de contrôle doit être effectuée par du personnel autorisé, conformément aux normes et aux dispositions des lois en vigueur.

Données Techniques

Alimentation électrique	AC 220.....240 V +10 % / -15 %
Fréquence	50.....60 Hz +/- 6 %
Fusible interne	T6,3H250V
Fonctionnement en dessous de la valeur nominale d'alimentation électrique	
Valeur minimale de fonctionnement en diminuant l'alimentation électrique de la valeur nominale	environ AC 160 V
Valeur minimale de fonctionnement en augmentant l'alimentation électrique vers la valeur nominale	environ AC 175 V
Charge maximale des contacts:	
Sortie d'alarme	
Alimentation nominale	AC 230 V, 50/60 Hz
Courant maximum	0,5 A
Longueur admise des câbles	
Thermostat	max. 20 m à 100 pF/m
Pressostat air	max. 1 m à 100 pF/m
CPI	max. 1 m à 100 pF/m
Pressostat gaz	max. 20 m à 100 pF/m
Détecteur de flamme	max. 1 m
Réarmement à distance	max. 20 m à 100 pF/m
Couple de serrage des vis M4	max. 0,8 Nm

3.11 Servomoteur

Le servomoteur règle en même temps le volet d'air par la came à profil variable et la vanne papillon du gaz.

L'angle de rotation sur le servomoteur est égal à l'angle sur le secteur gradué de la vanne papillon gaz.

Le servomoteur pivote de 90° en 24s.



Ne pas modifier le réglage des 4 cames équipant l'appareil effectué en usine. Contrôler simplement que ces cames soient réglées comme suit:

Came I : 90°

Limite la rotation vers le maximum.

Le brûleur fonctionnant à la puissance maximum, la vanne papillon doit être ouverte complètement: 90°.

Came II : 0°

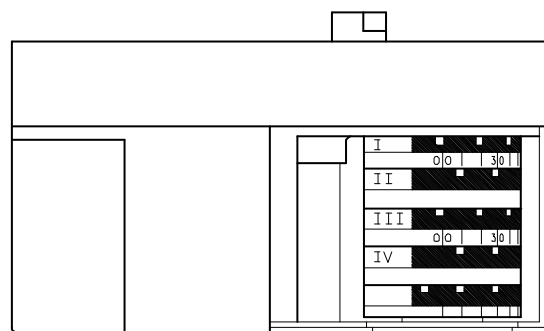
Limite la rotation vers le minimum.

Brûleur éteint, le volet de l'air et le papillon à gaz doivent être fermés: 0°.

Came III : 15°

Règle la position d'allumage et de puissance minimum.

Came IV : solidaire de la came III.




D790


Fig. 7

4.1 Indications concernant la sécurité pour l'installation

Après avoir nettoyé soigneusement tout autour de la zone où le brûleur doit être installé et à avoir bien éclairé le milieu, effectuer les opérations d'installation.




Toutes les opérations d'installation, entretien et démontage doivent être effectuées avec le réseau électrique débranché.




L'installation du brûleur doit être effectuée par du personnel habilité, selon les indications reportées dans ce manuel et conformément aux normes et dispositions en vigueur.

4.2 Manutention

L'emballage du brûleur comprend une plate-forme en bois, ce qui fait que lorsque le brûleur est encore emballé, on peut le déplacer avec un chariot transpalette ou un chariot élévateur à fourches.




Les opérations de manutention du brûleur peuvent être très dangereuses si on ne prête pas une grande attention: éloigner les personnes non autorisées; contrôler l'intégrité et l'aptitude des moyens dont on dispose. Il est nécessaire de s'assurer que la zone où l'on se déplace n'est pas encombrée et qu'il y a suffisamment d'espace pour s'échapper en cas de danger si le brûleur tombe par exemple. Pendant la manutention ne pas tenir la charge à plus de 20-25 cm du sol.




Après avoir placé le brûleur près de l'installation, éliminer complètement tous les résidus de l'emballage en les séparant selon les typologies de matériaux qui les composent. Avant d'effectuer les opérations d'installation, nettoyer avec soin la zone environnante où l'on doit installer le brûleur.

4.3 Contrôles préliminaires

Contrôle de la fourniture

 Après avoir enlevé tous les emballages contrôler l'intégrité du contenu. Si l'on a des doutes ne pas utiliser le brûleur et s'adresser au fournisseur.

 Les éléments qui composent l'emballage (cage de bois ou boîte en carton, clous, agrafes, sachets en plastique etc.) ne doivent pas être abandonnés car ce sont des sources potentielles de danger et de pollution, ils doivent être ramassés et déposés dans les lieux prévus à cet effet.

Contrôle des caractéristiques du brûleur


Contrôler la plaque d'identification du brûleur, dans laquelle sont reportés:

- le modèle (Voir **A** in Fig. 8) et le type du brûleur (**B**);
- l'année de construction (**C**);
- le numéro d'immatriculation (**D**);
- les informations sur l'alimentation électrique et le degré de protection (**E**);
- la puissance électrique absorbée (**F**);
- les types de gaz et les pressions d'alimentation correspondantes (**G**);
- les données de puissance min. et max. du brûleur (**H**) (voir Plage de puissance)
Attention. La puissance du brûleur doit rentrer dans la plage de puissance de la chaudière;
- la catégorie de l'appareil/pays de destination (**I**).

RBL	A		B	C
D	E		F	
GAS-KAASU <input checked="" type="checkbox"/>	G		H	
GAZ-AERIO	G		H	
I			RIELLO SpA I-37045 Legnago (VR)	
			CE 0085	

Fig. 8

D7738



L'absence de plaque d'identification ou le fait de l'enlever ou de l'altérer ne permet pas d'identifier correctement le brûleur et rend les opérations d'installation et d'entretien difficiles et/ou dangereuses.

4.4 Position de fonctionnement

Le brûleur n'est prévu que pour fonctionner dans les positions **1, 2, 3 et 4**.

L'installation **1** est conseillée car c'est la seule qui permet l'entretien comme décrit ci-dessous dans ce manuel. Les installations **2, 3 et 4** permettent au brûleur de fonctionner mais rendent les opérations d'entretien et d'inspection de la tête de combustion plus difficiles.

Tout autre positionnement risque de compromettre le bon fonctionnement de l'appareil. L'installation **5** est interdite pour des motifs de sécurité.

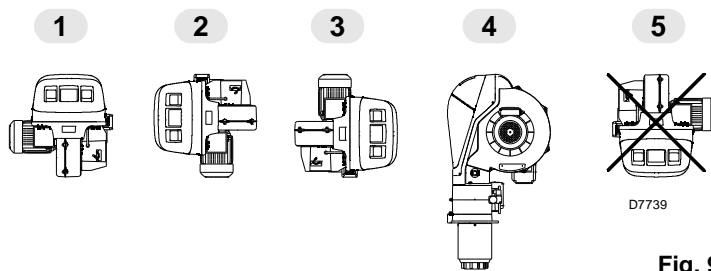


Fig. 9

4.5 Fixation du brûleur à la chaudière

Préparation de la chaudière

Perçage de la plaque chaudière

Percer la plaque de fermeture de la chambre de combustion comme indiqué sur la Fig. 10.

La position des trous filetés peut être tracée en utilisant l'écran thermique fourni avec le brûleur.

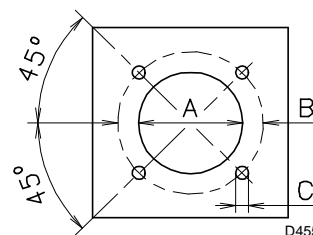


Fig. 10

mm	A	B	C
RS 50/M MZ	160	224	M8

Longueur de la buse

La longueur de la buse doit être choisie selon les indications du constructeur de la chaudière, en tous cas, elle doit être supérieure à l'épaisseur de la porte de la chaudière, matériau réfractaire compris.

Les longueurs L disponibles sont celles indiquées dans le tableau ci-dessous.

Buse	courte	longue
RS 50/M MZ	216 mm	351 mm

Pour les chaudières avec circulation des fumées sur l'avant (13), ou avec chambre à inversion de flamme, réaliser une protection en matériau réfractaire (11), entre réfractaire chaudière (12) et buse (10).

La protection doit permettre l'extraction de la buse. Voir Fig. 11.

Pour les chaudières dont la partie frontale est refroidie par eau, le revêtement réfractaire (11)-12) n'est pas nécessaire, sauf indication expresse du constructeur de la chaudière.

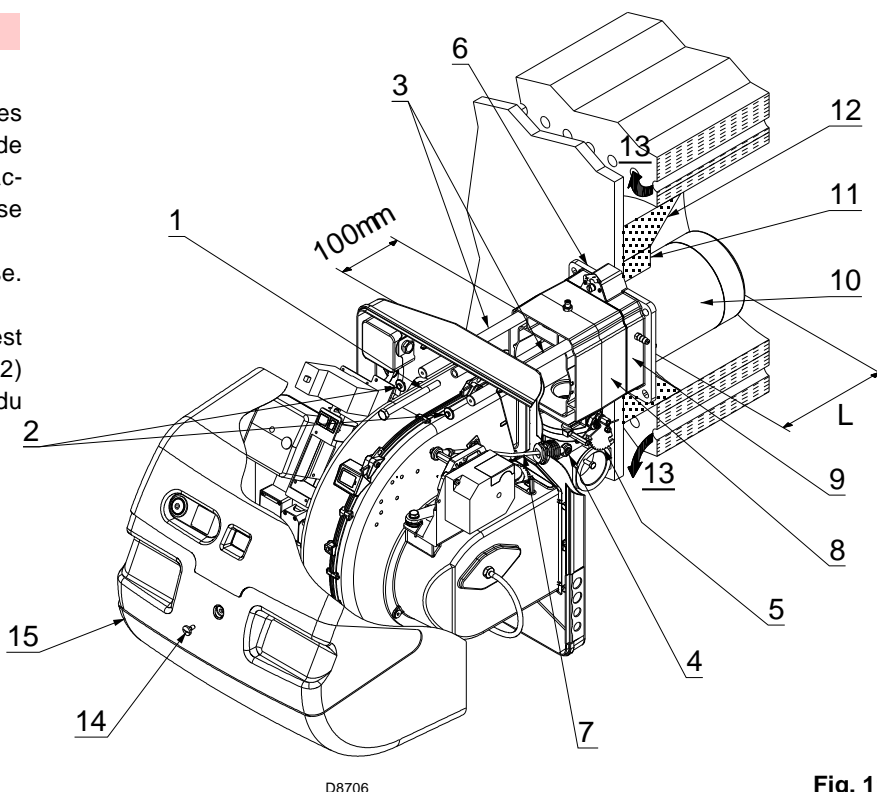


Fig. 11

Fixation du brûleur à la chaudière

Avant de fixer le brûleur à la chaudière, vérifier par l'ouverture de la buse si la sonde et l'électrode sont positionnées correctement comme indiqué sur la Fig. 12.

Lors du contrôle précédent, si le positionnement de la sonde ou de l'électrode n'était pas correct, retirer la vis 1) (Fig. 13), extraire la partie interne 2) (Fig. 13) de la tête et en effectuer le réglage.

Ne pas faire pivoter la sonde mais la laisser en place comme indiqué sur la Fig. 12; son positionnement tout près de l'électrode d'allumage pourrait endommager l'amplificateur de l'appareil.

Séparer ensuite la tête de combustion du reste du brûleur, Fig. 11.

Procéder comme suit pour faire cela:

- retirer la vis 14) et extraire le capot 15);
- décrocher la rotule 4) du secteur gradué 5);
- retirer les vis 2) des deux guides 3);
- retirer la vis 1) et faire reculer le brûleur sur les glissières 3) d'environ 100 mm;
- détacher les câbles de la sonde et de l'électrode, enlever ensuite complètement le brûleur des glissières, après avoir ôté la goupille de la glissière 3).

Une fois effectuée cette opération éventuelle, fixer la bride 9) (Fig. 11) à la plaque de la chaudière en interposant l'écran isolant 6) (Fig. 11) fourni avec l'équipement. Utiliser les 4 vis fournies, avec un couple de serrage de $35 \div 40$ Nm, après en avoir protégé le filetage avec des produits anti-grippants.

L'étanchéité brûleur-chaudière doit être parfaite: après le démarrage (Voir Chap. 5.3) vérifier qu'aucune fumée ne se dégage dans le milieu.

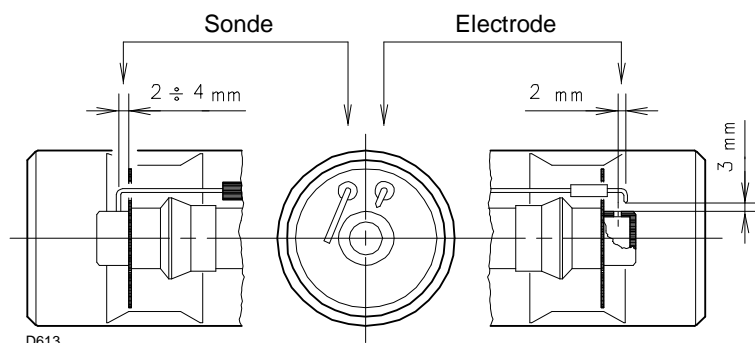


Fig. 12

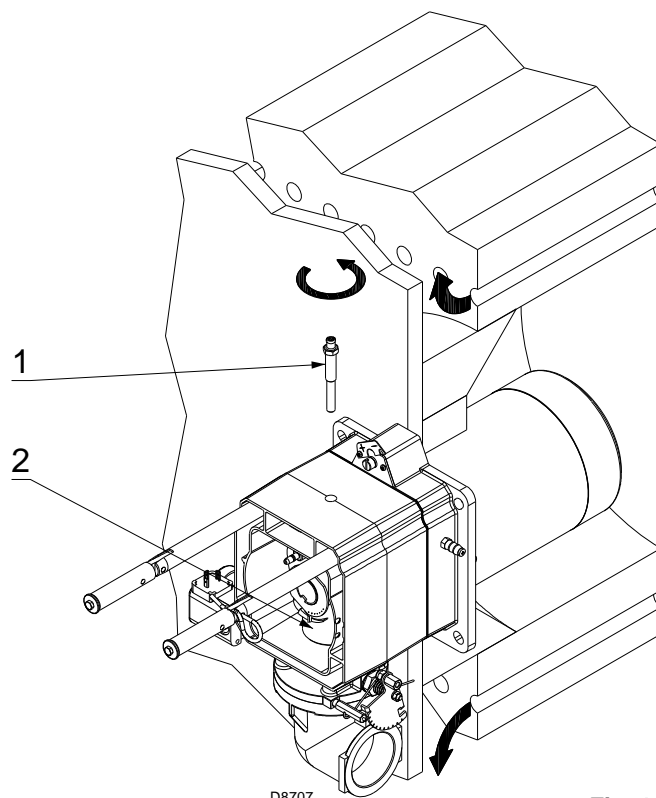


Fig. 13

4.6 Réglage de la tête de combustion

À ce stade de l'installation, la buse et le manchon sont fixés à la chaudière comme indiqué sur la Fig. 15.

Donc, les réglages de la tête de combustion sont particulièrement faciles: l'air et le gaz.



PUISSANCES MINIMALES DE MODULATION:

lorsque la puissance MIN. est comprise entre 80 ÷ 129 kW, la bague 2) est réglée à 0.

Deux cas sont possibles:

La puissance MINIMALE du brûleur est supérieure à 130 kW.

Trouver sur le diagramme de la Fig. 16 l'encoche à laquelle régler l'air et le gaz, en fonction de la puissance MAX., donc:

Réglage de l'air

Tourner la vis 4) jusqu'à ce que l'encoche corresponde avec le plan avant 5) de la bride.

Réglage du gaz central

Desserrer la vis 1) et faire tourner la bague 2) jusqu'à faire correspondre l'encoche avec le repère 3).

Bloquer la vis 1).

Exemple:

le brûleur varie la puissance entre MIN. = 130 et MAX. = 460 kW.

Les réglages du gaz et de l'air s'effectuent sur l'encoche 3, comme indiqué sur la Fig. 15.

La perte de pression de la tête de combustion est donnée par la colonne 1 à la page 35.

NOTE

Le diagramme indique le réglage optimal de la bague 2).

Si la pression du réseau d'alimentation en gaz est très faible et qu'elle ne permet pas d'atteindre la pression indiquée à la page 35 à la puissance MAX., et si la bague 2) n'est ouverte qu'en partie, il est possible d'ouvrir encore cette bague de 1 ou 2 encoches.

Pour continuer l'exemple précédent, la page 35 indique que pour un brûleur avec une puissance de 460 kW il faut 5,4 mbar environ de pression à la prise 6). Si cette pression n'est pas disponible, ouvrir la bague 2) de 4 ou 5 encoches.

Contrôler que la combustion soit satisfaisante et sans saccades.

La puissance MINIMALE du brûleur est inférieure à 130 kW.

Réglage de l'air

Ce qui a été exprimé précédemment vaut également pour ce cas: suivre le diagramme.

Réglage du gaz central

La bague 2) est toujours réglée à la position 0, indépendamment de la puissance MAX. du brûleur.

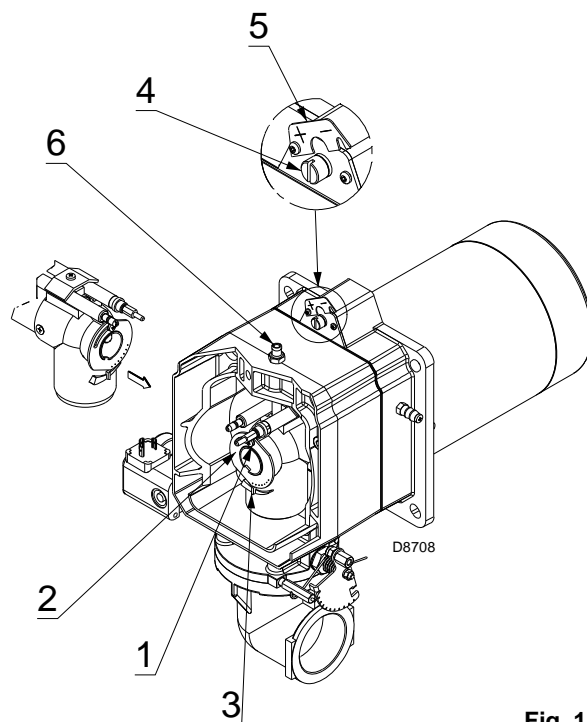


Fig. 15

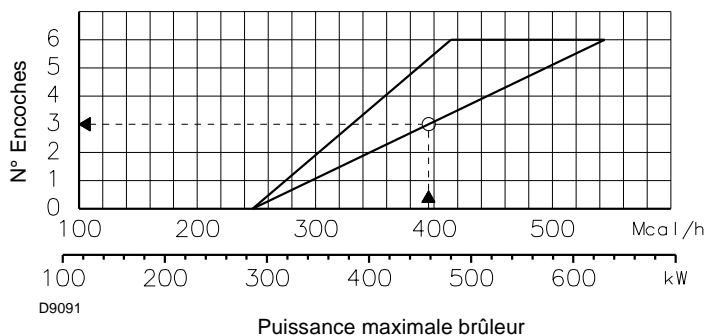


Fig 16

Après avoir terminé le réglage de la tête de combustion :

- remonter le brûleur 4) sur les glissières 3) à 100 mm environ du manchon 5) - brûleur dans la position illustrée dans la Fig. 11;
- insérer le câble de la sonde et le câble de l'électrode puis faire glisser le brûleur jusqu'au manchon dans la position illustrée sur la Fig. 17;
- remettre les vis 2) sur les glissières 3);
- fixer le brûleur au manchon avec la vis 1).

- remettre la goupille dans une des deux glissières 3).
- replacer la rotule 6) sur le secteur gradué 7).

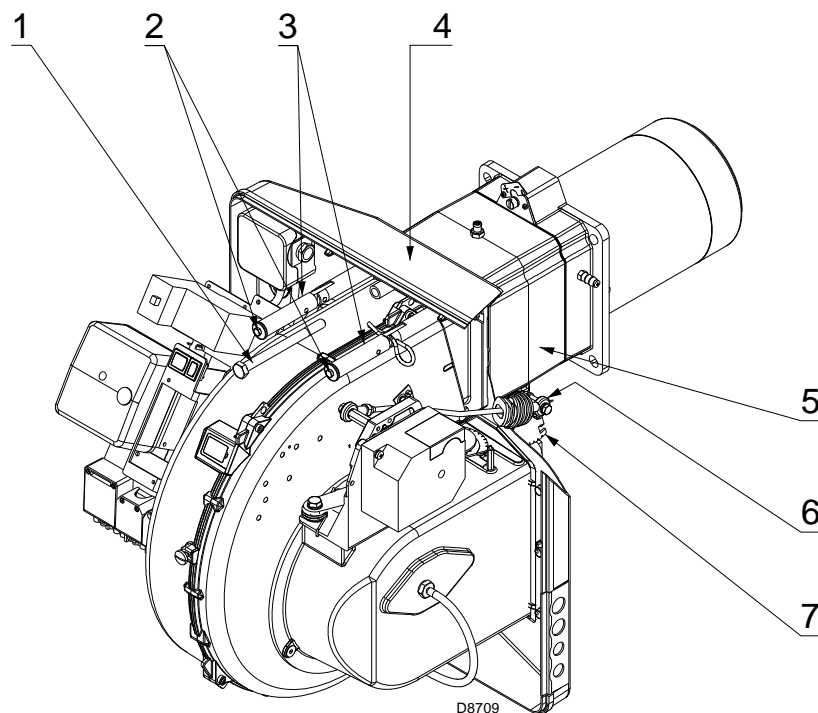
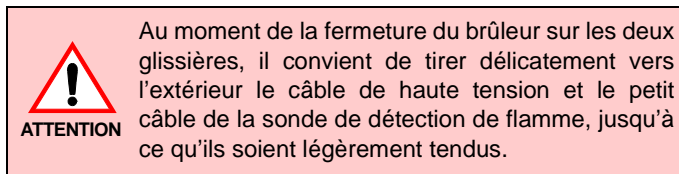


Fig. 17

4.7 Montage de la rampe gaz

- La rampe gaz est homologuée selon la norme EN 676 et elle est fournie séparément, le code se trouve dans l'Annexe B.
- La rampe peut arriver par la droite ou par la gauche, au besoin, voir Fig. 18.
- La rampe gaz doit être reliée au raccord du gaz 1)(Fig. 18), par la bride 2), le joint 3) et les vis 4) fournis en standard avec le brûleur.
- Les électrovannes du gaz doivent être le plus près possible du brûleur de façon à assurer l'arrivée du gaz à la tête de combustion en un temps de sécurité de 3 s.
- S'assurer que la pression maximale nécessaire au brûleur soit comprise dans la plage de réglage du régulateur de pression (couleur du ressort).

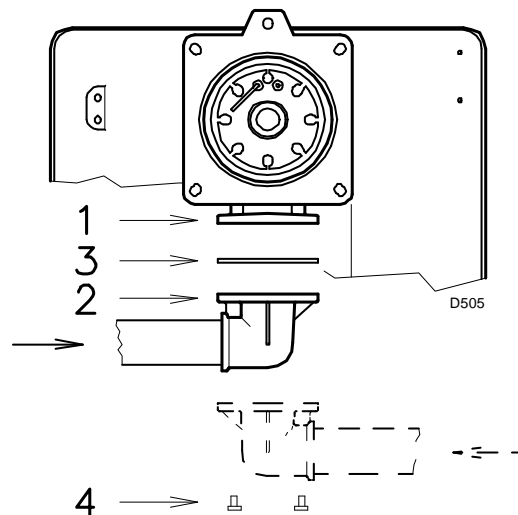


Fig. 18



Pour le réglage de la rampe gaz, voir les instructions qui l'accompagnent.

ATTENTION

- 1 - Canalisation d'arrivée du gaz
- 2 - Vanne manuelle
- 3 - Joint anti-vibrations
- 4 - Manomètre avec robinet à bouton poussoir
- 5 - Filtre
- 6 - Régulateur de pression (vertical)
- 7 - Pressostat gaz minimum
- 8 - Electrovanne de sécurité VS (verticale)
- 9 - Électrovanne de réglage VR (verticale)
- 10 - Deux réglages possibles:
 - débit d'allumage (ouverture rapide)
 - débit maximum (ouverture lente)
- 11 - Joint et bride fournis avec le brûleur
- 12 - Papillon réglage gaz
- 13 - Brûleur
- 14 - Dispositif de contrôle d'étanchéité vannes 8)-9)
- 15 - Selon la norme EN 676, le contrôle d'étanchéité est obligatoire pour les brûleurs ayant une puissance maximale supérieure à 1200 kW.
- 16 - Adaptateur rampe-brûleur
- 17 - Pressostat gaz maximum
- 18 - P1-Pression à la tête de combustion
- 19 - P2-Pression en aval du régulateur
- 20 - P3-Pression en amont du filtre
- L - La rampe gaz est fournie à part avec le code indiqué dans l'Annexe B.
- L1 - A la charge de l'installateur

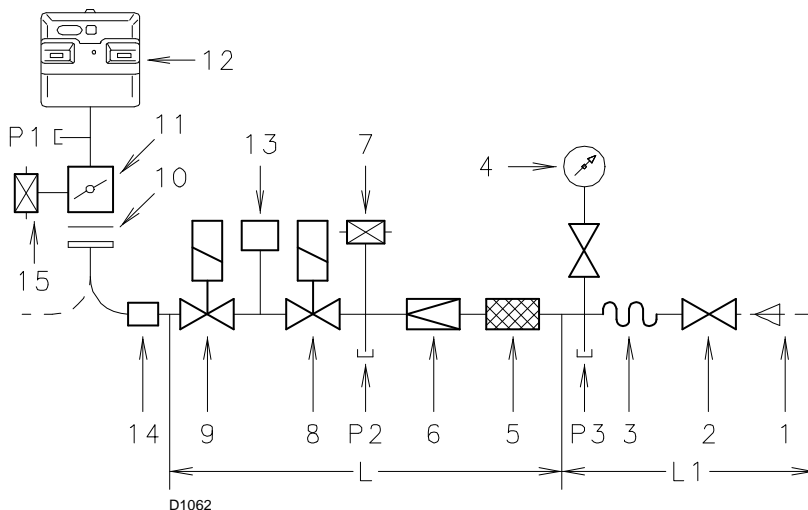


Fig. 19

Les fuites de charge le long de la ligne d'alimentation du gaz sont indiquées dans l'Annexe C.

4.8 Raccordements électriques

Informations sur la sécurité pour les raccordements électriques

- Les raccordements électriques doivent être effectués avec l'alimentation électrique coupée.
- Les raccordements électriques doivent être effectués selon les normes en vigueur dans le pays de destination et par du personnel qualifié. Se reporter aux schémas électriques contenus dans l'Annexe A.
- **RIELLO** le fabricant décline toute responsabilité en cas de modifications ou de raccordements différents de ceux représentés sur les schémas électriques.
- Vérifier que l'alimentation électrique du brûleur correspond à celle reportée dans la plaque d'identification et dans ce manuel. Voir Fig. 8.
- Dans la ligne d'alimentation électrique, ne pas inverser le neutre avec la phase. L'inversion éventuelle provoquerait une mise en sécurité pour absence d'allumage.
- Les brûleurs RS50/M MZ ont été homologués pour le fonctionnement intermittent. Ce qui veut dire que, selon les normes, ils doivent s'arrêter au moins 1 fois toutes les 24 heures pour permettre à la boîte de contrôle de contrôler sa propre efficacité au moment du démarrage. Normalement l'arrêt du brûleur est assuré par le thermostat/pressostat de la chaudière. S'il n'en était pas ainsi, il faudrait appliquer en série au IN un interrupteur horaire qui commanderait l'arrêt du brûleur au moins 1 fois toutes les 24 heures. Se reporter aux schémas électriques contenus dans l'Annexe A.
- La sécurité électrique de l'appareil n'est atteinte que lorsque celui-ci est correctement raccordé à une installation de mise à la terre efficace, réalisée conformément aux normes en vigueur. Il est nécessaire de contrôler cette mesure de sécurité qui est fondamentale. En cas de doutes faire contrôler l'installation électrique au personnel expérimenté. Ne pas utiliser les tuyaux du gaz comme mise à la terre d'appareils électriques.
- L'installation électrique doit être conforme à la puissance maximale absorbée par l'appareil, indiquée sur la plaque et dans le manuel; vérifier en particulier que la section des câbles est conforme à la puissance absorbée par l'appareil.
- Pour l'alimentation générale de l'appareil au réseau électrique:
 - ne pas utiliser d'adaptateurs, de prises multiples, de rallonges;
 - prévoir un interrupteur omnipolaire avec une ouverture entre les contacts d'au moins 3 mm, comme prévu par les normes de sécurité en vigueur.
- Ne jamais toucher l'appareil en ayant des parties du corps mouillées ou avec les pieds nus.
- Ne pas tirer les câbles électriques.



S'il y a encore le capot, il faut l'enlever pour effectuer les raccordements électriques conformément aux schémas reportés dans l'Annexe A.

Utiliser des câbles flexibles selon la norme EN 60 335-1.

Tous les câbles à brancher au brûleur 7)(Fig. 20) doivent être passés par les passe-câbles fournis, à insérer dans les trous de la plaquette, de droite ou de gauche, après avoir dévissé les vis 8), ouvert la plaquette dans les parties 9) -10) et retiré le mince diaphragme qui ferme les trous.

L'utilisation des passe-câbles et des trous prédécoupés peut se faire de plusieurs façons; à titre d'exemple nous indiquons l'une de ces possibilités:

- 1-Pg 11 Alimentation triphasée
- 2-Pg 11 Alimentation monophasée
- 3-Pg 9 Télécommande TL
- 4-Pg 9 Télécommande TR ou sonde (RWF)
- 5-Pg 11 Vannes gaz (lorsque le contrôle d'étanchéité RG1/CT ou LDU 11 n'est pas monté)
- 6-Pg 11 Pressostat gaz ou contrôle de l'étanchéité des vannes

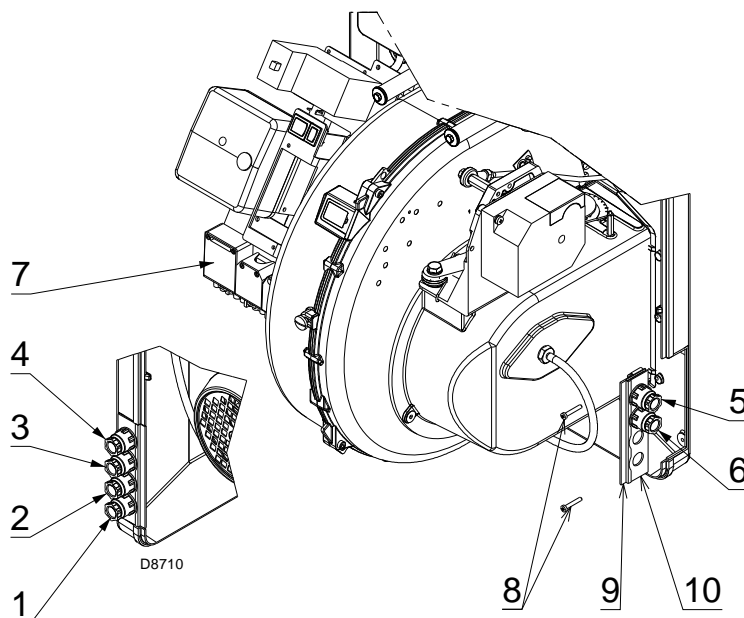


Fig. 20

4.9 Réglage du relais thermique

Le relais thermique sert à éviter la détérioration du moteur due à une forte augmentation de l'absorption ou au manque d'une phase.

Si la valeur minimum de l'échelle du relais thermique est supérieure à l'absorption nominale du moteur, la protection est dans tous les cas assurée.

Cela se vérifie lorsque l'alimentation du moteur est 400 V.

Pour réaliser le déblocage, en cas d'intervention du relais thermique, appuyer sur le bouton 1) de la Fig. 21.

Tension 3 ~ 400/230V - 50Hz

- Si le moteur est alimenté en étoile, **400 V**, le curseur doit être placé sur "MIN".
 - S'il est alimenté en triangle, **230 V**, le curseur doit être placé sur " MAX ".
- Si l'échelle du relais thermique ne comprend pas l'absorption indiquée sur la plaque du moteur à 400 V, la protection est quand même assurée.

NOTE

Les modèles RS 50/M MZ quittent l'usine prévus pour une alimentation électrique à **400 V**.

Si l'alimentation est à **230 V**, changer la connexion du moteur (d'étoile à triangle) et le réglage du relais thermique.

Tension 3 ~ 380/460/480V - 60Hz

- Si le moteur est alimenté en étoile, **380/460/480V**, le curseur doit être placé sur "MIN".
- Si l'échelle du relais thermique ne comprend pas l'absorption indiquée sur la plaque du moteur à **380/460/480V**, la protection est quand même assurée.

NOTE

Les brûleurs quittent l'usine prévus pour une alimentation électrique à **380/460/480V**.

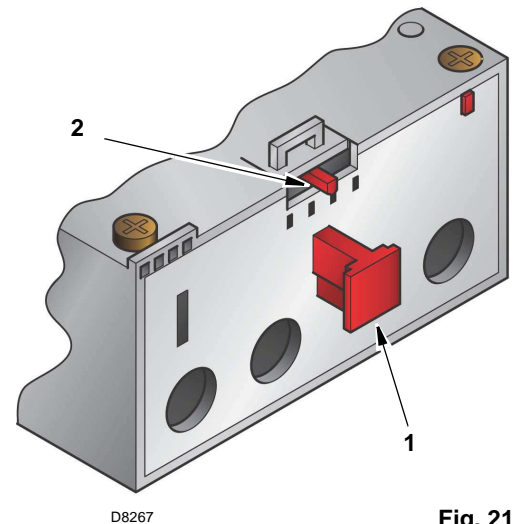


Fig. 21

5.1 Indications concernant la sécurité pour la première mise en fonction



La première mise en fonction du brûleur doit être effectuée par du personnel habilité, selon les indications reportées dans ce manuel et conformément aux normes et dispositions en vigueur.



Vérifier le bon fonctionnement des dispositifs de réglage, commande et sécurité.

5.2 Opérations avant la mise en fonction

- S'assurer que l'organisme de distribution du gaz a bien effectué les opérations de purge de la ligne d'alimentation en éliminant l'air ou les gaz inertes des tuyaux.
- Ouvrir lentement les vannes manuelles placées en amont de la rampe à gaz.
- Régler le pressostat gaz minimum (Fig. 22) en début d'échelle.
- Régler le pressostat gaz maximum (Fig. 23) en fin d'échelle.
- Régler le pressostat air (Fig. 24) au début de l'échelle.

Pressostat gaz minimum

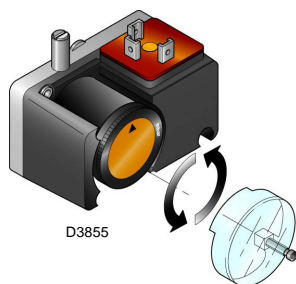


Fig. 22

Pressostat gaz maximum

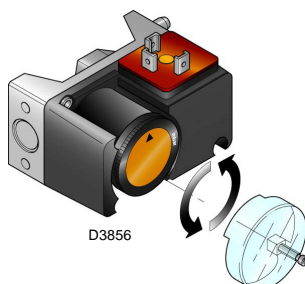


Fig. 23

Pressostat air



Fig. 24

- Contrôler la pression d'alimentation du gaz en raccordant un manomètre sur la prise de pression 1)(Fig. 25) du pressostat gaz minimum: elle doit être inférieure à la pression maximale admise pour la rampe gaz qui est indiquée sur la plaque des caractéristiques.



Une pression excessive du gaz peut endommager les composants de la rampe gaz et provoquer des risques d'explosion.

- Purger l'air des tubes de la rampe gaz, en raccordant un tube en plastique sur la prise de pression 1)(Fig. 25) du pressostat gaz minimum. Porter le tube de purge à l'extérieur de l'édifice jusqu'à sentir l'odeur du gaz.
- Raccorder deux ampoules ou testeurs en parallèle aux deux électrovannes de gaz, pour contrôler le moment de la mise sous tension. Cette opération n'est pas nécessaire si chacune des deux électrovannes est munie d'un voyant lumineux signalant la tension électrique.

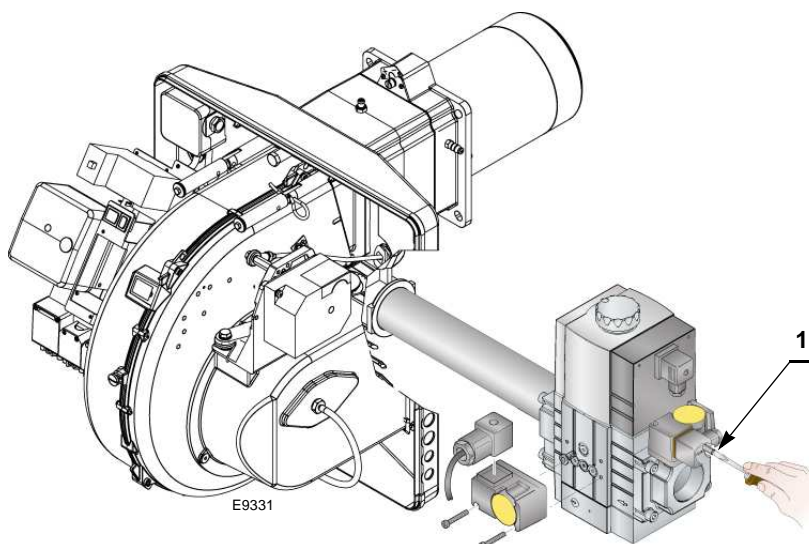


Fig. 25



Avant d'allumer le brûleur, régler la rampe gaz afin que l'allumage se fasse dans des conditions de sécurité maximale, c'est-à-dire avec un débit de gaz très faible.

5.3 Démarrage du brûleur

Alimenter le brûleur électriquement par l'intermédiaire du sectionneur sur le tableau de la chaudière.

Fermer les thermostats / pressostats et mettre l'interrupteur de la Fig. 27 sur " MAN " .



Vérifier que les ampoules ou les testeurs raccordés aux électrovannes, ou les voyants sur les électrovannes, indiquent une absence de tension. S'ils signalent une tension, arrêter **immédiatement** le brûleur et contrôler les raccordements électriques.

Dès que le brûleur démarre, contrôler le sens de rotation de la turbine du ventilateur à travers le viseur de flamme.

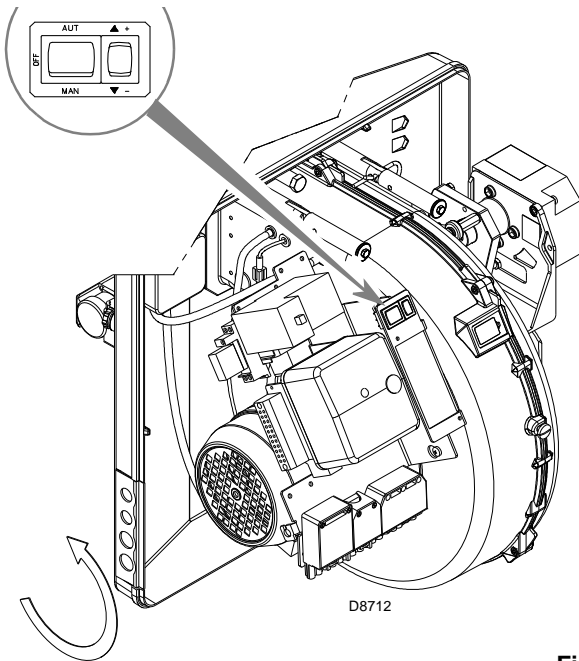


Fig. 26

5.4 Allumage du brûleur

Après avoir effectué les opérations décrites au point précédent, le brûleur devrait s'allumer. Si le moteur démarre mais la flamme n'apparaît pas et la boîte de contrôle se met en sécurité réarmer et faire une nouvelle tentative de démarrage.

Si l'allumage n'a pas lieu, il se peut que le gaz n'arrive pas à la tête de combustion dans le temps de sécurité de 3 s. Dans ce cas augmenter le débit du gaz à l'allumage.

L'arrivée du gaz au manchon est mise en évidence par le manomètre.

Quand l'allumage est fait, passer au réglage complet du brûleur.

5.5 Réglage du brûleur

Pour obtenir un réglage optimal du brûleur, il faut effectuer l'analyse des gaz d'échappement de la combustion à la sortie de la chaudière.

Régler en succession:

- Puissance à l'allumage
- Puissance maximale
- Puissance minimale
- Puissances intermédiaires entre les deux
- Pressostat air
- Pressostat gaz maximum
- Pressostat gaz minimum

Puissance à l'allumage

Selon la norme EN 676.

Brûleurs avec puissance MAX jusqu'à 120 kW

L'allumage peut se faire à la puissance maximum de fonctionnement. Exemple:

- puissance max. de fonctionnement: 120 kW
- puissance max. à l'allumage: 120 kW

Brûleurs à puissance MAX au delà des 120 kW

L'allumage doit se faire à une puissance réduite par rapport à la puissance maximum de fonctionnement.

Si la puissance à l'allumage ne dépasse pas les 120 kW, aucun calcul n'est nécessaire. Au contraire, si la puissance à l'allumage dépasse les 120 kW, la norme établit que sa valeur soit définie en fonction du temps de sécurité " ts " du coffret de sécurité:

pour $ts = 3s$ la puissance à l'allumage doit être égale ou inférieure à 1/3 de la puissance maximum de fonctionnement.

Exemple

Puissance MAX de fonctionnement 450 kW.

La puissance à l'allumage doit être égale ou inférieure à 150 kW avec $ts = 3 s$.

Pour mesurer la puissance à l'allumage:

- débrancher la fiche-prise 26)(Fig. 5) sur le câble de la sonde d'ionisation (le brûleur s'allume et se met en sécurité après le temps de sécurité);
- exécuter 10 allumages avec mises en sécurité consécutives;
- lire au compteur la quantité de gaz brûlée: cette quantité doit être égale ou inférieure à celle donnée par la formule, pour $ts = 3s$:

$$Vg = \frac{Qa \text{ (débit max. brûleur) } \times n \times ts}{3600}$$

Vg: volume fourni lors des allumages exécutés (Sm^3)

Qa: débit d'allumage (Sm^3/h)

n: nombre d'allumages (10)

ts: temps de sécurité (sec)

Exemple pour gaz G 20 (9,45 kWh/ Sm^3):

débit d'allumage 150 kW

correspondants à 15,87 Sm^3/h .

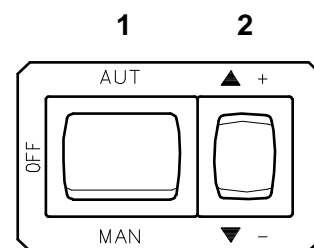
Après 10 allumages avec mise en sécurité, le débit lu au compteur doit être égal ou inférieur à:

$$Vg = \frac{15,87 \times 10 \times 3}{3600} = 0,132 Sm^3$$

Puissance maximum

La puissance maximum doit être choisie dans la plage de puissance indiquée page 7. Dans la description ci-dessus le brûleur est allumé et il fonctionne à la puissance minimale.

Appuyer donc sur le bouton 2)(Fig. 27) " augmentation de la puissance " et le maintenir pressé jusqu'à ce que le servomoteur ouvre le volet d'air et le papillon à gaz soit à 90°.



D791

Fig. 27

Réglage du gaz

Mesurer le débit du gaz au compteur.

A titre indicatif, ce débit peut être trouvé sur les tableaux page 35. Il suffit de lire la pression du gaz sur le manomètre (voir Fig. 36) et de suivre les indications de la page 35.

- S'il est nécessaire de la réduire, diminuer la pression du gaz en sortie et, si elle est déjà au minimum, fermer un peu la vanne de réglage VR.
- S'il est nécessaire de l'augmenter, accroître la pression du gaz en sortie du régulateur.

Réglage de l'air

Modifier en progression le profil final de la came 4)(Fig. 28) en agissant sur les vis de celle-ci qui apparaissent à l'intérieur de l'ouverture 6) (Fig. 28).

- Pour augmenter le débit d'air serrer les vis.
- Pour diminuer celui-ci, desserrer les vis.

Puissance minimum

La puissance minimum doit être choisie dans la plage de puissance indiquée à page 7.

Appuyer sur le bouton 2)(Fig. 27) " diminution de la puissance " et le maintenir pressé jusqu'à ce que le servomoteur ferme le volet d'air et le papillon à gaz soit à 15° (réglage effectué en usine).

Réglage du gaz

Mesurer le débit du gaz au compteur.

- S'il faut diminuer ce débit, réduire légèrement l'angle de la came III (Fig. 29) par de légers déplacements successifs, c'est-à-dire aller de l'angle 15° à 13° - 11°....
- S'il faut l'augmenter, appuyer légèrement sur le bouton " augmentation de la puissance " 2)(Fig. 27) (c'est-à-dire ouvrir de 10-15° le papillon gaz), augmenter l'angle de la came III (Fig. 29) par de légers déplacements successifs, c'est-à-dire aller de l'angle 15° à 17° - 19°....

Appuyer ensuite sur le bouton " diminution de la puissance " afin de reporter le servomoteur en position d'ouverture minimale et mesurer le débit du gaz.

NOTE

Le servomoteur ne suit le réglage de la came III que quand on réduit l'angle de la came. S'il faut augmenter l'angle de la came, il faut d'abord augmenter l'angle du servomoteur avec le bouton " augmentation de la puissance ", augmenter ensuite l'angle de la came III et enfin reporter le servomoteur en position de puissance MIN avec le bouton " diminution de puissance ".

Pour le réglage éventuel de la came III, enlever le couvercle 1)(Fig. 29), installé à pression, comme indiqué sur la Fig. 29, extraire la clavette 2)(Fig. 29) située à l'intérieur et l'introduire dans la fente de la came III.

Réglage de l'air

Modifier en progression le profil initial de la came 4)(Fig. 28) en agissant sur les vis de celle-ci qui apparaissent à l'intérieur de l'ouverture 6) (Fig. 28).

Si possible, ne pas serrer la première vis: il s'agit de la vis qui ferme complètement le volet de l'air.

Puissances intermédiaires**Réglage du gaz**

Le réglage n'est pas nécessaire.

Réglage de l'air

Appuyer légèrement sur le bouton 2)(Fig. 27) " augmentation de la puissance " de manière qu'une nouvelle vis 5)(Fig. 28) apparaisse à l'intérieur de l'ouverture 6)(Fig. 28), la régler jusqu'à obtenir une combustion optimale. Procéder de la même façon avec les vis successives.

Contrôler que la variation du profil de la came soit progressive.

Éteindre le brûleur en actionnant l'interrupteur 1)(Fig. 27), position " OFF ", détacher la came à profil variable en mettant la fente 2)(Fig. 28) du servomoteur en position verticale et vérifier plusieurs fois, en tournant manuellement la came vers l'avant et vers l'arrière, que le mouvement est souple et sans obstructions. Si possible, faire en sorte de ne pas déplacer les vis aux extrémités de la came, réglées précédemment pour l'ouverture du volet à la puissance MAX. et MIN.

NOTE

Dès que le réglage des puissances MAX - MIN - INTERMÉDIAIRES est terminé, contrôler l'allumage. Celui-ci doit produire un son identique au son du fonctionnement qui s'ensuit. En cas de saccades, réduire le débit à l'allumage.

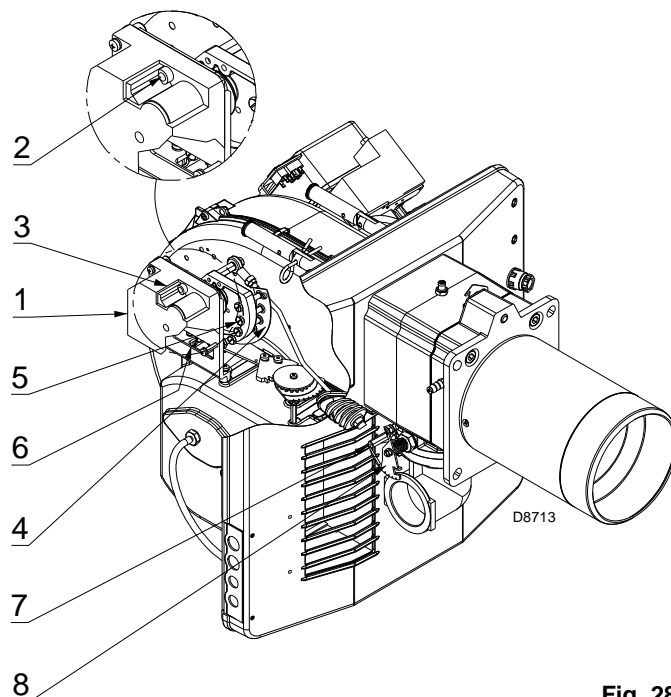


Fig. 28

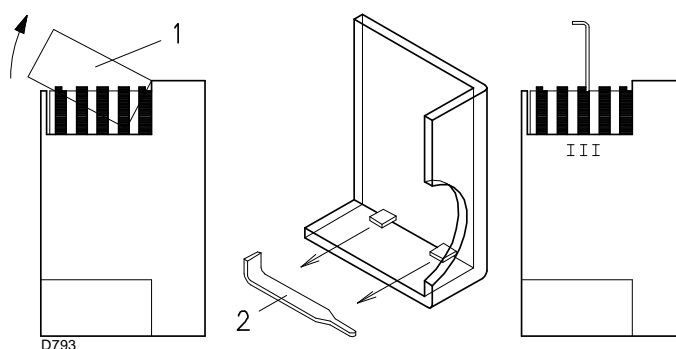


Fig. 29

- 1 Servomoteur
- 2 ⊖ Verrouillage / ⊕ Déverrouillage came 4
- 3 Couvercle comes
- 4 Came à profil variable
- 5 Vis de régulation du profil variable
- 6 Rainure d'accès à la vis 5
- 7 Index du secteur gradué 8
- 8 Secteur gradué vanne papillon gaz

Pressostat air

Le pressostat air est raccordé d'une manière différentielle, voir B)(Fig. 30), c'est-à-dire sollicité aussi bien par la dépression que par la pression générées par le ventilateur. Ainsi, le brûleur peut fonctionner aussi dans des chambres de combustion en dépression et avec d'autres rapports de modulation: puissances MIN. / MAX. jusqu'à 1/6.

Dans ce cas, le pressostat air n'a besoin d'aucun réglage et sa fonction se limite à contrôler le fonctionnement du ventilateur.

Attention: on ne peut utiliser le pressostat de l'air à fonctionnement différentiel que dans des applications industrielles et quand les normes permettent que le pressostat de l'air ne contrôle que le fonctionnement du ventilateur, sans limite de référence pour le CO. En cas d'applications résidentielles il est nécessaire d'enlever le conduit provenant de l'aspiration du ventilateur, voir A)(Fig. 30), et régler le pressostat comme indiqué ci-après.

Pressostat air raccordé comme sur A)(Fig. 30):

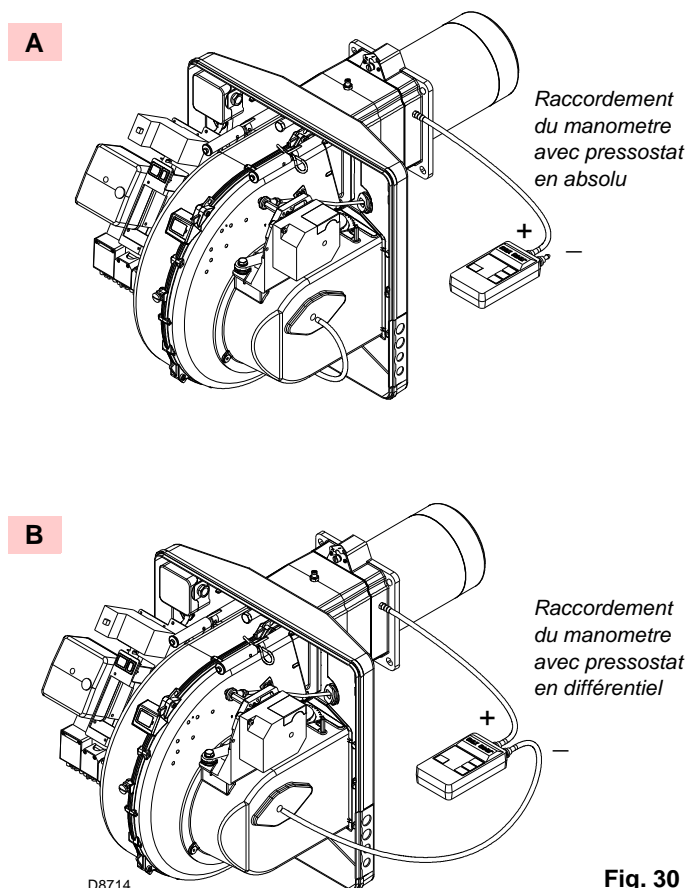
effectuer le réglage du pressostat air après avoir effectué tous les autres réglages du brûleur avec le pressostat air réglé en début d'échelle.

Lorsque le brûleur fonctionne à la puissance minimale, augmenter la pression de réglage en tournant lentement dans le sens des aiguilles d'une montre le bouton prévu à cet effet jusqu'à la mise en sécurité du brûleur.

Tourner ensuite dans le sens contraire le bouton du 20 % de la valeur réglée et répéter le démarrage du brûleur pour en vérifier la régularité.

Si le brûleur se bloque à nouveau, tourner encore un peu le bouton dans le sens contraire aux aiguilles d'une montre.

Attention: comme le veut la norme, le pressostat de l'air doit empêcher que le CO dans les fumées dépasse 1 % (10.000 ppm). Pour s'en rendre compte, insérer un analyseur de combustion dans le conduit, fermer lentement la bouche d'aspiration du ventilateur (par exemple avec un carton) et vérifier qu'il y ait mise en sécurité du brûleur, avant que le CO dans les fumées ne dépasse 1 %.



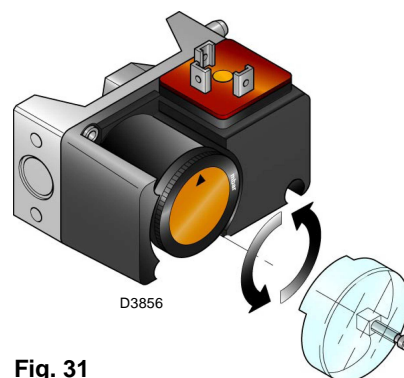
Pressostat gaz maximum

Régler le pressostat gaz maximum, après tous les autres réglages du brûleur avec le pressostat gaz maximum réglé à fin d'échelle (Fig. 31).

Lorsque le brûleur fonctionne à la puissance MAX, réduire la pression de réglage en tournant lentement dans le sens contraire aux aiguilles d'une montre le bouton prévu à cet effet jusqu'à la mise en sécurité du brûleur.

Tourner ensuite le bouton de 2 mbar dans le sens des aiguilles d'une montre et répéter le démarrage du brûleur.

Si le brûleur s'arrête à nouveau, tourner encore dans le sens des aiguilles d'une montre de 1 mbar.



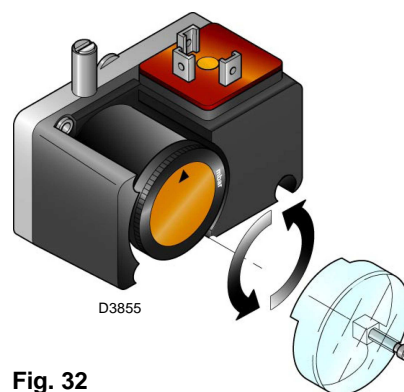
Pressostat gaz minimum

Régler le pressostat gaz minimum après tous les autres réglages du brûleur avec le pressostat réglé au début d'échelle (Fig. 32).

Lorsque le brûleur fonctionne à la puissance MAX, augmenter la pression de réglage en tournant lentement dans le sens des aiguilles d'une montre le bouton prévu à cet effet jusqu'à l'arrêt du brûleur.

Tourner ensuite dans le sens contraire le bouton de 2 mbar et répéter le démarrage du brûleur pour en vérifier la régularité.

Si le brûleur s'arrête à nouveau, tourner encore dans le sens contraire aux aiguilles d'une montre de 1 mbar.



5.6 Séquence de fonctionnement du brûleur

Démarrage du brûleur

- 0s: Fermeture TL.
- 0s: Fermeture thermostat/pressostat TL.
- 2s: Le cycle de démarrage du coffret de sécurité est commencé. Démarrage servomoteur : il tourne vers la gauche de 90°, c'est-à-dire jusqu'à l'intervention du contact sur la came I (Fig. 7).
- 26s: Le volet d'air se positionne sur la puissance MAX. Démarrage moteur ventilateur. La phase de prévention commence.
- 57s: Le servomoteur tourne vers la droite jusqu'à l'angle réglé sur la came III (Fig. 7) pour la puissance MIN.
- 77s: Le volet d'air et le papillon à gaz se positionnent sur la puissance MIN. (avec came III)(Fig. 7) à 65°.
- 92s: L'étincelle jaillit de l'électrode d'allumage. La vanne de sécurité VS et la vanne de réglage VR, ouverture rapide, s'ouvrent; la flamme s'allume à une petite puissance, point A. On a ensuite une augmentation progressive du puissance, ouverture lente de la vanne de réglage VR, jusqu'à la puissance MIN, point B.
- 94s: L'étincelle s'éteint.
- 118s: Le cycle de démarrage s'achève.

ALLUMAGE RÉGULIER

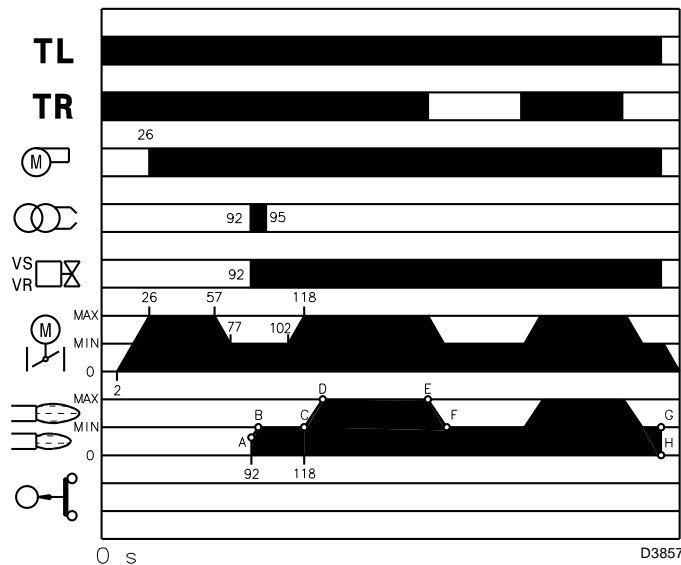


Fig. 33

Fonctionnement de régime

Brûleur sans le kit pour fonctionnement modulant

Une fois le cycle de démarrage terminé, la commande du servomoteur passe au thermostat / pressostat TR qui contrôle la pression ou la température dans la chaudière, point C.

(Le coffret de sécurité continue néanmoins à contrôler la présence de la flamme et la position correcte des pressostats air et gaz maximum).

- Si la température ou la pression sont basses, ce qui fait que le thermostat / pressostat TR soit fermé, le brûleur augmente progressivement la puissance jusqu'à la valeur MAX. (segment C-D).
- Si la température ou la pression augmente ensuite jusqu'à l'ouverture de TR, le brûleur diminue progressivement la puissance jusqu'à la valeur MIN., (segment E-F). Et ainsi de suite.

- L'arrêt du brûleur a lieu quand la demande de chaleur est inférieure à celle qui est fournie par le brûleur à la puissance MIN, (segment G-H). Le thermostat / pressostat TL s'ouvre, le servomoteur retourne à l'angle 0°.
- Le volet se ferme complètement pour réduire au minimum les dispersions thermiques.

Brûleur avec le kit pour fonctionnement modulant

Voir le manuel fourni avec le régulateur.

Absence d'allumage

Si le brûleur ne s'allume pas, il y a mise en sécurité de l'alimentation électrique dans les 3 s qui suivent l'ouverture de la vanne gaz.

Il se peut que le gaz n'arrive pas à la tête de combustion dans les 3 s du temps de sécurité.

Dans ce cas augmenter le débit du gaz à l'allumage.

L'arrivée du gaz au manchon est signalée par le manomètre de la Fig. 36.

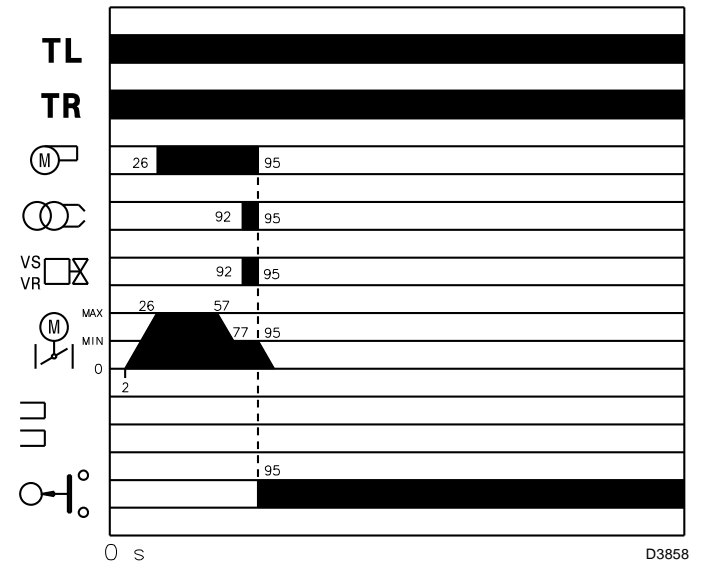


Fig. 34

5.7 Extinction du brûleur en fonctionnement

Si la flamme s'éteint accidentellement en cours de fonctionnement, le brûleur se met en sécurité en 1 seconde.

5.8 Arrêt du brûleur

L'arrêt du brûleur peut se faire:

- en intervenant sur le sectionneur de la ligne d'alimentation électrique placé sur la table de la chaudière;
- en enlevant le capot pour intervenir sur l'interrupteur "AUT / MAN" de la Fig. 27.

5.9 Mesure du courant d'ionisation

Le brûleur est muni d'un système à ionisation pour contrôler la présence de la flamme. Pour faire fonctionner le boîtier de contrôle le courant minimum est de 6 μ A.

Le brûleur produit un courant nettement supérieur qui ne nécessite normalement d'aucun contrôle.

Cependant, si on veut mesurer le courant d'ionisation il faut débrancher la fiche-prise (2)(Fig. 35), placée sur le câble de la sonde d'ionisation, et insérer un micro-ampèremètre (1)(Fig. 35) pour un courant continu de 100 μ A en fin d'échelle.

Attention à la polarité !

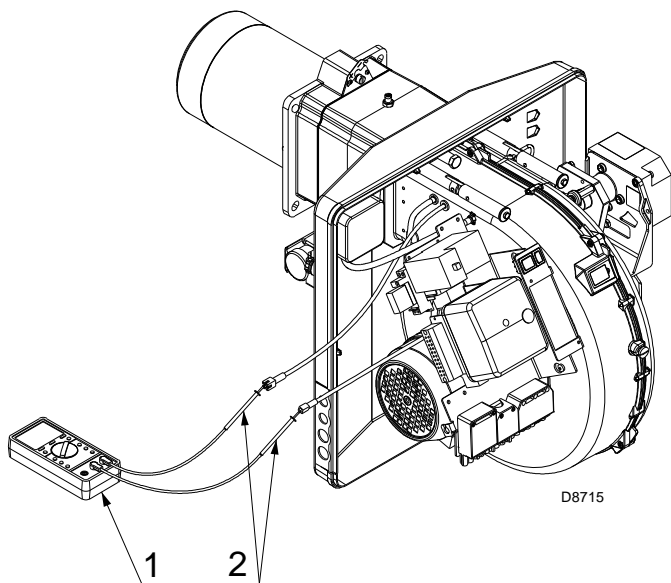


Fig. 35

5.11 Contrôles finaux (brûleur en fonctionnement)

- Ouvrir le thermostat / pressostat TL:
- Ouvrir le thermostat / pressostat TS:
le brûleur doit s'arrêter
- Tourner la poignée du pressostat gaz maximum jusqu'à la limite inférieure de la graduation.
- Tourner la poignée du pressostat d'air jusqu'à la limite supérieure de la graduation.
le brûleur doit se mettre en sécurité
- Éteindre le brûleur et couper la tension.
- Débrancher le connecteur du pressostat gaz minimum.
le brûleur ne doit pas démarrer
- Débrancher le fil de la sonde d'ionisation.
le brûleur doit s'arrêter en se mettant en sécurité pour absence d'allumage
- Contrôler que les blocages mécaniques des dispositifs de réglage soient bien serrés.

5.10 Contrôle de la pression de l'air et du gaz à la tête de combustion

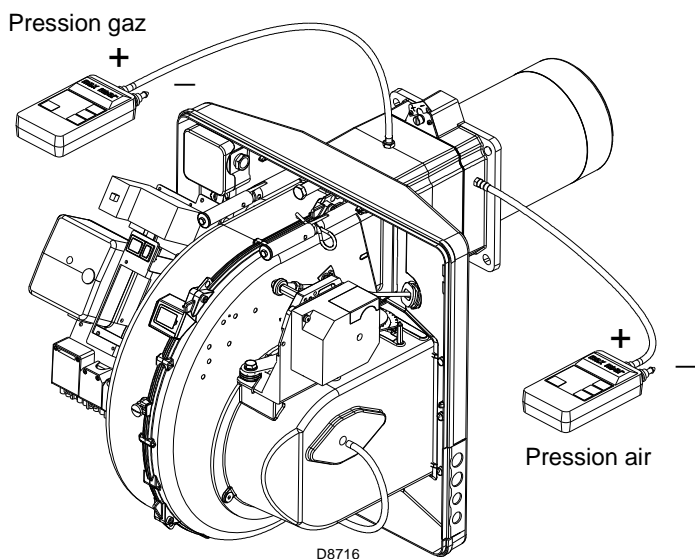


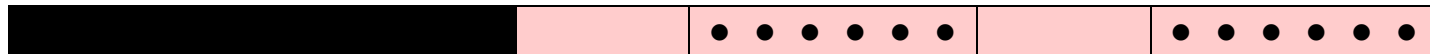
Fig. 36

La boîte de contrôle fournie de série a une fonction diagnostic qui permet de localiser facilement les causes possibles de mauvais fonctionnement (signalisation: **LED ROUGE**).

Pour utiliser cette fonction, il faut attendre au moins dix secondes après la mise en sécurité de la boîte de contrôle et appuyer sur le bouton de réarmement pendant au moins trois secondes.

Lorsque l'on relâche le bouton la LED rouge commence à clignoter, comme illustré dans la figure suivante.

LED ROUGE allumée **Appuyer sur le bouton** **Signal** **Intervalle** **Signal**
appuyer sur réarmement pendant 10s **pendant > 3s** **3s**



Les impulsions de la LED sont un signal qui se répète environ toutes les 3 secondes.

Le nombre d'impulsions fournira toutes les informations sur les pannes possibles, selon le tableau suivant.

SIGNAL	INCONVENIENT	CAUSE PROBABLE	REMEDE CONSEILLE
2 clignotements ● ●	Après la préventilation et le temps de sécurité, le brûleur se met en sécurité sans apparition de flamme	1 - L'électrovanne de fonctionnement fait passer Augmenter peu de gaz 2 - Une des électrovannes ne s'ouvre pas. Remplacer 3 - Pression du gaz trop basse. Augmenter au régulateur 4 - Électrode d'allumage mal réglée. Régler, voir Fig. 12 5 - Électrode à la masse pour isolant cassée. Remplacer 6 - Câble haute tension défectueux. Remplacer 7 - Câble haute tension déformé par haute température. . . Remplacer et protéger 8 - Transformateur d'allumage défectueux. Remplacer 9 - Raccordements électriques vannes ou Contrôler transformateur incorrects 10 - Coffret de sécurité défectueux. Remplacer 11 - Une vanne fermée en amont de la rampe à gaz. Ouvrir 12 - Air dans les conduits. Purger 13 - Rampes non raccordées ou bobine interrompue . . . Contrôler les raccordements ou remplacer la bobine	
3 clignotements ● ● ●	Le brûleur ne démarre pas et se met en sécurité	14 - Pressostat air en position de fonctionnement. Régler ou remplacer	
	Le brûleur démarre, puis se met en sécurité	Pressostat air ne commute pas pour pression air insuffisante: 15 - Pressostat air mal réglé. Régler ou remplacer 16 - Tube prise pression du pressostat obstrué. Nettoyer 17 - Tête mal réglée. Régler 18 - Forte dépression dans le foyer. Raccorder le pressostat air à l'aspiration du ventilateur	
	Mise en sécurité durant la préventilation	19 - Contacteur de commande du moteur défectueux. . . Remplacer (uniquement version triphasée) 20 - Moteur électrique défectueux. Remplacer 21 - Mise en sécurité du moteur Remplacer (uniquement version triphasée)	
4 clignotements ● ● ● ●	Le brûleur démarre, puis se met en sécurité	22 - Simulation de flamme. Remplacer le coffret de sécurité	
	Mise en sécurité à l'arrêt du brûleur	23 - Permanence de flamme dans la tête de combustion . . Éliminer la permanence de flamme ou remplacer la boîte de contrôle	
6 clignotements ● ● ● ● ● ●	Le brûleur démarre, puis se met en sécurité	24 - Servomoteur défectueux ou mal réglé. Remplacer ou régler	
7 clignotements ● ● ● ● ● ● ●	Le brûleur se met en sécurité tout de suite après l'apparition de la flamme	25 - L'électrovanne de fonctionnement fait passer Augmenter peu de gaz 26 - Sonde d'ionisation mal réglée Régler, voir Fig. 12 27 - Ionisation insuffisante (inférieure à 5 µA). Contrôler la position de la sonde 28 - Sonde à la masse. Éloigner ou remplacer le câble 29 - La mise à la terre du brûleur n'est pas Réviser la mise à la terre suffisamment efficace 30 - Phase et neutre inversés. Inverser 31 - Panne du circuit de détection de flamme. Remplacer la boîte de contrôle	
	Mise en sécurité du brûleur lors du passage de la puissance minimale à la maximale et vice-versa	32 - Trop d'air ou peu de gaz. Régler l'air et le gaz	
	Le brûleur en marche se met en sécurité brusquement	33 - Sonde ou câble d'ionisation à la masse. Remplacer les pièces endommagées	

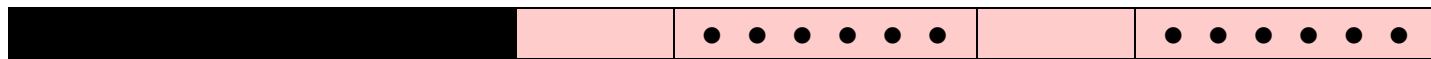
SIGNAL	INCONVENIENT	CAUSE PROBABLE	REMEDE CONSEILLE
10 clignotements ●●●●●●●●●●	Le brûleur ne démarre pas et met en sécurité	34 - Raccordements électriques mal faits	Les contrôler
	Le brûleur se met en sécurité	35 - Coffret de sécurité défectueux. 36 - Présence de perturbations électromagnétiques sur les lignes des thermostats 37 - Présence de perturbations électromagnétiques.	Remplacer. Filtrer ou éliminer Utiliser le kit de protection contre les perturbations radio
Pas de clignotement	Le brûleur ne démarre pas	38 - Absence de courant électrique.	Fermer les interrupteurs. Contrôler les fusibles
		39 - Télécommande de limite ou de sécurité ouverte	Régler ou remplacer
		40 - Fusible de ligne interrompu.	Remplacer
		41 - Coffret de sécurité défectueux.	Remplacer
	42 - Manque de gaz.	Ouvrir les vannes manuelles entre le contacteur et rampe	
Le brûleur continue à répéter le cycle de démarrage sans mise en sécurité	43 - Pression de gaz dans le réseau insuffisante. 44 - Le pressostat gaz minimum ne ferme pas 45 - Le servomoteur ne se porte pas en position	46 - La pression du gaz dans le réseau est près de la . . .	Réduire la pression d'intervention du pressostat gaz minimum
		La chute de pression soudaine qui suit l'ouverture de la vanne provoque l'ouverture temporaire du pressostat, subitement la vanne se ferme et le brûleur se ferme aussi. La pression commence à augmenter, le pressostat se ferme et fait répéter le cycle de démarrage. Et ainsi de suite.	Remplacer la cartouche du filtre à gaz
Allumages avec saccades	47 - Tête mal réglée. 48 - Électrode d'allumage mal réglée. 49 - Volet ventilateur mal réglé, trop d'air. 50 - Puissance à l'allumage trop élevée.	47 - Tête mal réglée.	Régler, voir Fig. 15
		48 - Électrode d'allumage mal réglée.	Régler, voir Fig. 12
		49 - Volet ventilateur mal réglé, trop d'air.	Régler
		50 - Puissance à l'allumage trop élevée.	Réduire
Le brûleur n'atteint pas la puissance maximale	51 - Télécommande TR ne ferme pas. 52 - Coffret de sécurité défectueux. 53 - Servomoteur défectueux.	51 - Télécommande TR ne ferme pas.	Régler ou la remplacer
		52 - Coffret de sécurité défectueux. 53 - Servomoteur défectueux.	Remplacer Remplacer
Brûleur arrêté volet d'air ouvert	54 - Servomoteur défectueux	Remplacer	

6.1 Fonctionnement normal / temps de détection flamme

La boîte de contrôle sert également à contrôler le bon fonctionnement du brûleur (signalisation: **LED VERTE** constamment allumée). Pour utiliser cette fonction il faut attendre dix secondes à partir de l'allumage du brûleur et appuyer sur le bouton de la boîte de contrôle pendant au moins trois secondes.

Lorsque l'on relâche le bouton, la LED VERTE commence à clignoter, comme illustré dans la figure suivante.

LED VERTE allumée **Appuyer sur le bouton** **Signal** **Intervalle** **Signal**
appuyer sur réarmement pendant 10s pendant > 3s 3s



Les impulsions de la LED sont un signal qui se répète environ toutes les 3 secondes.

Le nombre des impulsions identifiera le TEMPS DE DÉTECTION de la sonde de l'ouverture des vannes gaz, d'après le tableau suivant.

SIGNAL	TEMPS DE DÉTECTION DE LA FLAMME
1 clignotement ●	0,4 s
2 clignotements ●●	0,8 s
6 clignotements ●●●●●●	2,8 s

Cette donnée est mise à jour à chaque démarrage du brûleur.

Une fois effectuée la lecture, en appuyant légèrement sur le bouton de la boîte de contrôle, le brûleur répète le cycle de démarrage.

ATTENTION

Si le temps est de > 2 s l'allumage est retardé.

Vérifier le réglage du frein hydraulique sur la vanne gaz et le réglage du volet d'air et de la tête de combustion.

7.1 Indications concernant la sécurité pour l'entretien

L'entretien périodique est indispensable pour un bon fonctionnement, la sécurité, le rendement et la durée du brûleur. Il permet de réduire la consommation, les émissions polluantes et de permettre au produit de rester fiable dans le temps.



Les interventions d'entretien et de réglage du brûleur doivent être effectuées par du personnel habilité, selon les indications reportées dans ce manuel et conformément aux normes et dispositions en vigueur.

Avant d'effectuer toute opération d'entretien, nettoyage ou contrôle:



couper l'alimentation électrique du brûleur, en appuyant sur l'interrupteur général de l'équipement;



fermer le robinet d'arrêt du combustible;

7.2 Programme d'entretien

Fréquence d'entretien

L'installation de combustion à gaz doit être contrôlée **au moins une fois par an** par une personne chargée de cette opération par le Constructeur ou par un technicien spécialisé.

Contrôle et nettoyage

Combustion

Effectuer l'analyse des gaz d'échappement de la combustion. Les différences significatives par rapport au contrôle précédent indiqueront les points où l'opération d'entretien devra être plus approfondie.

Fuites de gaz

Contrôler l'absence de fuites de gaz sur le conduit compteur-brûleur.

Filtre gaz

Remplacer le filtre du gaz lorsqu'il est encrassé.

Viseur flamme

Nettoyer le verre du viseur de la flamme.

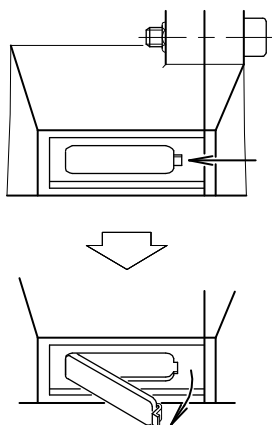


Fig. 37

D484

Tête de combustion

Ouvrir le brûleur et vérifier que toutes les parties de la tête de combustion soient:

- en bon état;
- non déformées par la température élevée;
- exemptes d'impuretés provenant de l'environnement;
- exemptes de corrosions des matériaux respectifs;
- correctement positionnées.

S'assurer que les trous de sortie du gaz pour la phase d'allumage, présents dans le distributeur de la tête de combustion, soient exempts d'impuretés ou de dépôts de rouille.

En cas de doute, démonter le coude 7)(Fig. 38).

Servomoteur

Enlever la came 4)(Fig. 28) du servomoteur, en faisant pivoter de 90° la fente 2)(Fig. 28), et contrôler manuellement que sa rotation en avant et en arrière coulisse librement.

Réinsérer la came 4)(Fig. 28).

Brûleur

Vérifier qu'il n'y ait pas d'usure anormale ou de vis desserrée dans les mécanismes qui commandent le volet d'air et la vanne papillon de gaz. De même, les vis de fixation des câbles au bornier du brûleur doivent être correctement serrées.

Nettoyer extérieurement le brûleur, notamment les rotules et la came 4)(Fig. 28).

Combustion

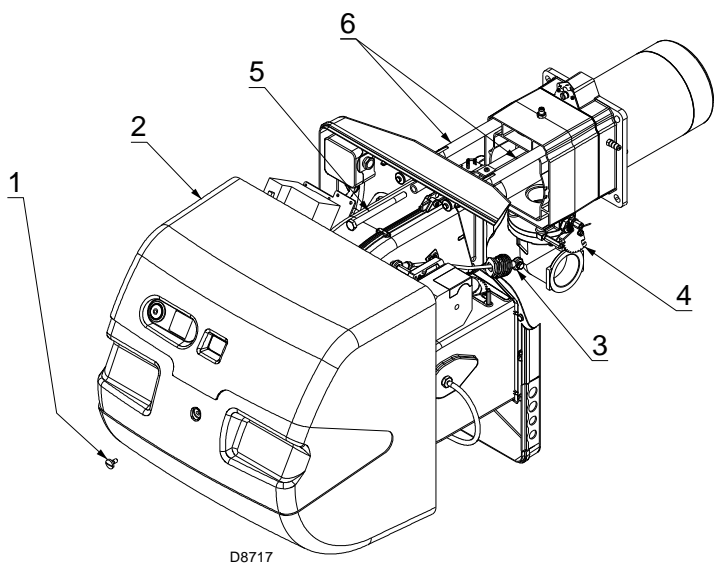
Régler le brûleur si les valeurs de la combustion trouvées au début de l'intervention ne satisfont pas les Normes en vigueur ou ne correspondent pas à une bonne combustion.

Reporter sur une fiche spéciale les nouvelles valeurs de la combustion; elles seront utiles pour les contrôles successifs.

7.3 Ouverture brûleur

- **Couper l'alimentation électrique du brûleur.**
- Retirer la vis 1) et extraire le capot 2).
- Décrocher la rotule 3) du secteur gradué 4).
- Retirer la vis 5) et la goupille 9) et faire reculer le brûleur sur les glissières 6) d'environ 100 mm. Débrancher les câbles de la sonde et de l'électrode et faire reculer complètement le brûleur.
- Tourner comme montré sur la figure et enfiler la goupille 9) dans le trou de l'un des deux guides, de façon à ce que le brûleur reste sur cette position.

On peut alors extraire le distributeur de gaz 7) après en avoir retiré la vis 8).



D8717

7.4 Fermeture brûleur

- Pousser le brûleur jusqu'à 100 mm du manchon.
- Enlever la goupille 9) et pousser le brûleur jusqu'à environ 100 mm du manchon.
- Remettre les câbles et faire glisser le brûleur jusqu'à la butée.
- Remettre la vis 5) et la goupille 9), et tirer délicatement vers l'extérieur les câbles de la sonde et de l'électrode, jusqu'à les mettre légèrement en tension.
- Replacer la rotule 3) sur le secteur gradué 4).

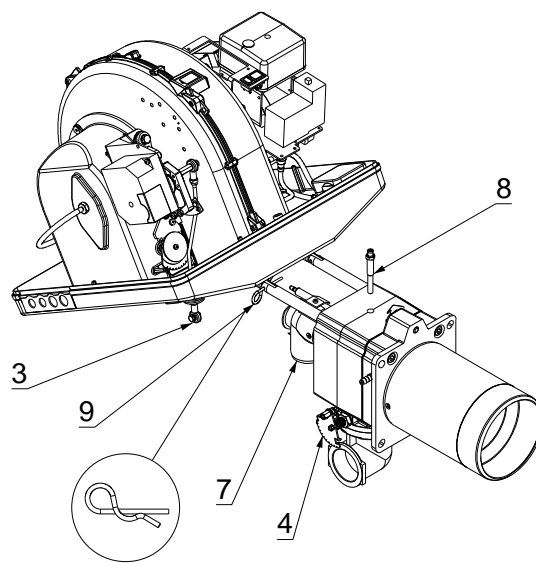
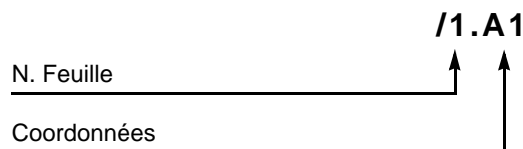


Fig. 38

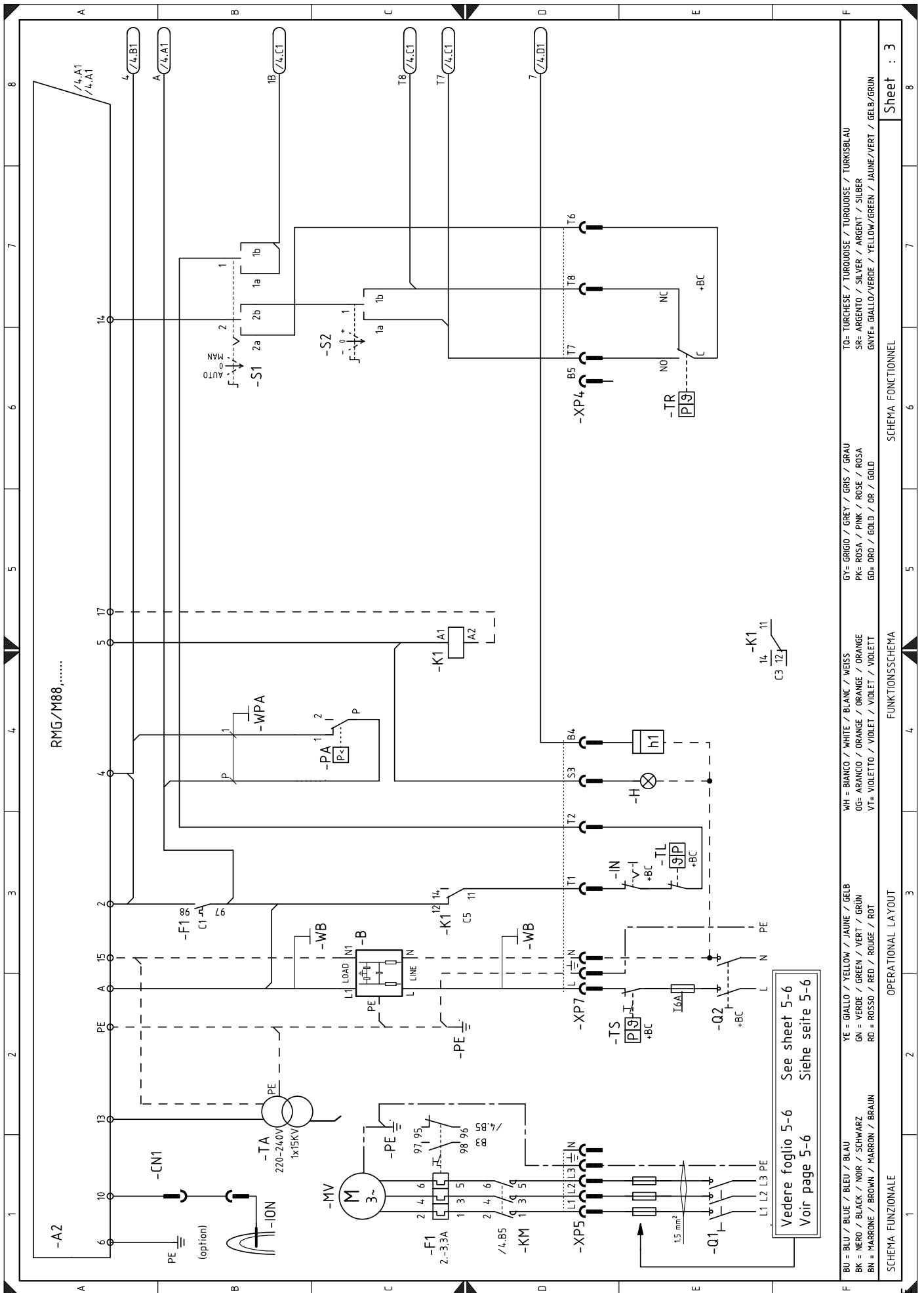
1	Index schémas
2	Indication références
3	Schéma fonctionnel
4	Schéma fonctionnel
5	Raccordements électriques aux soins de l'installateur
6	Schéma fonctionnel RWF50...

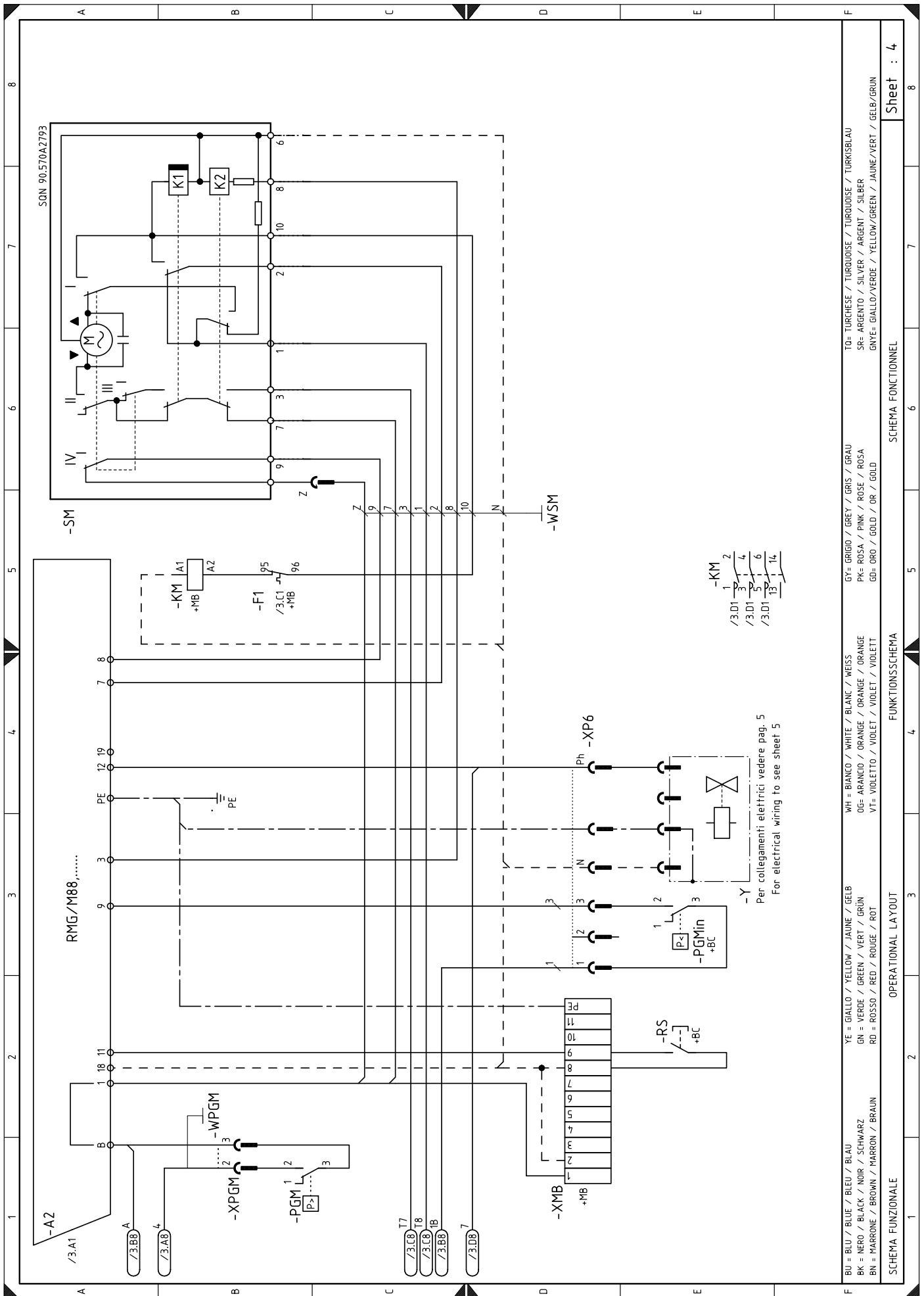
2 Indication références

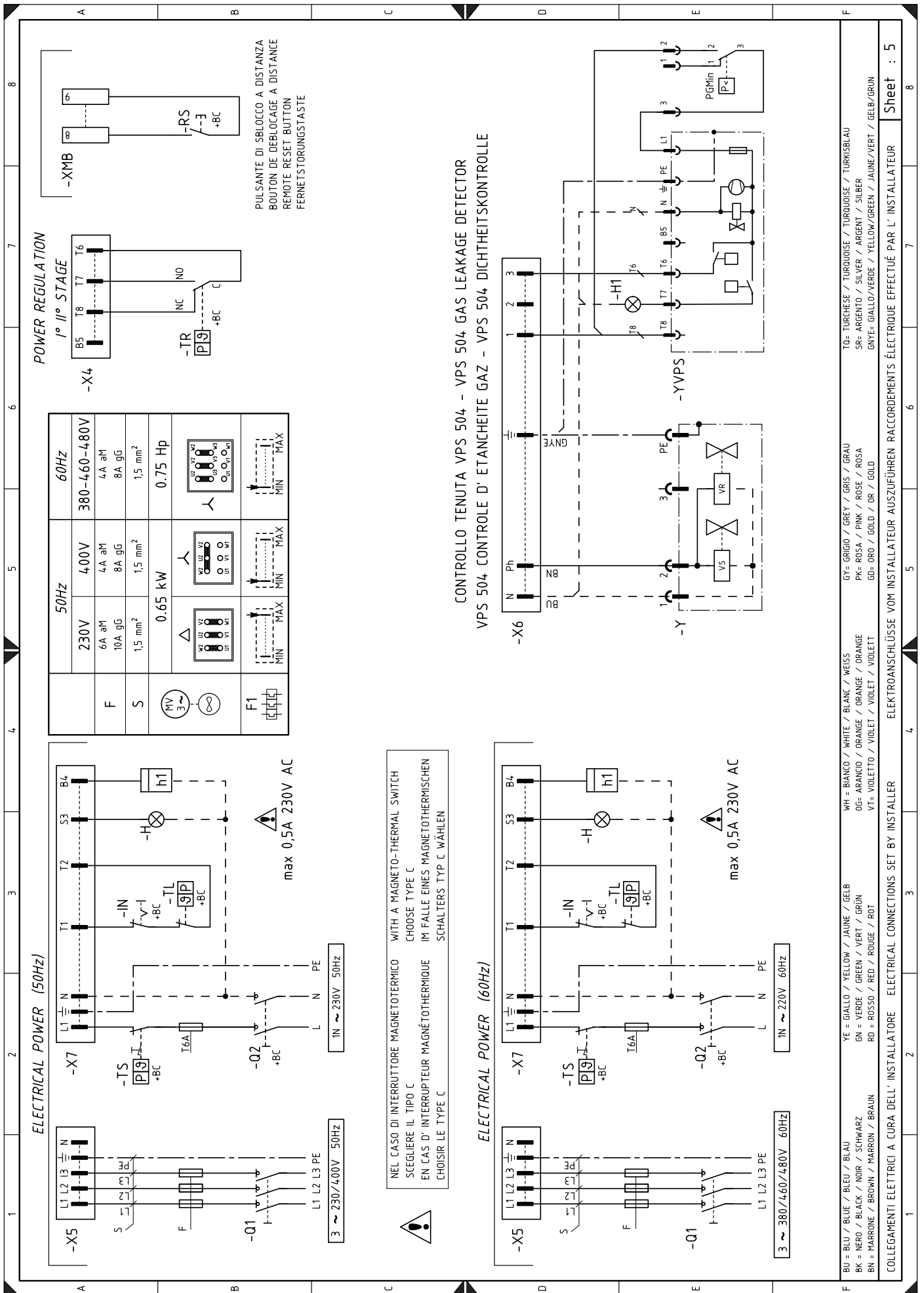


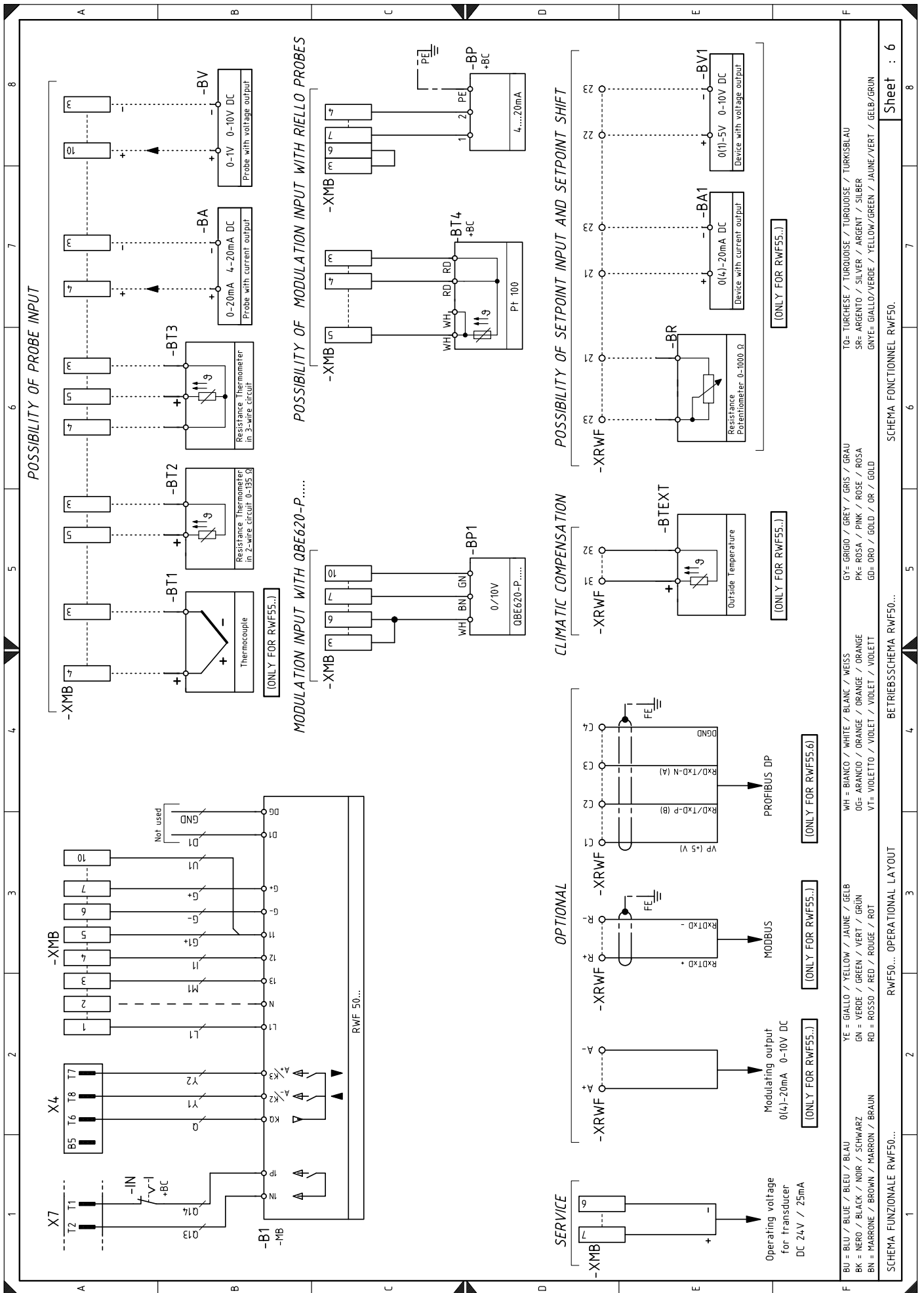
Légende schémas électriques

A	- Coffret de sécurité	MV	- Moteur ventilateur
B	- Filtre de protection contre les perturbations radio	PA	- Pressostat air
B1	- Régulateur de puissance RWF	PE	- Terre brûleur
BA	- Entrée en courant DC 4...20 mA	PGM	- Pressostat gaz maximum
BA1	- Entrée en courant DC 4...20 mA pour modification du point de consigne à distance	PGMin	- Pressostat gaz minimum
BP	- Sonde de pression	Q1	- Interrupteur sectionneur triphasée
BP1	- Sonde de pression	Q2	- Interrupteur sectionneur monophasée
BR	- Potentiomètre du point de consigne à distance	RS	- Bouton de réarmement à distance du brûleur
BTEXT	- Sonde externe pour la compensation climatique du point de consigne	S1	- Sélecteur éteint / automatique / manuel
BT1	- Sonde à thermocouple	S2	- Sélecteur augmentation / diminution puissance
BT2	- Sonde Pt100 à 2 fils	SM	- Servomoteur
BT3	- Sonde Pt100 à 3 fils	TA	- Transformateur d'allumage
BT4	- Sonde Pt100 à 3 fils	TL	- Thermostat / pressostat de limite
BV	- Entrée en tension DC 0...10 V	TR	- Thermostat / pressostat de réglage
BV1	- Entrée en tension DC 0...10 V pour modification du point de consigne à distance	TS	- Thermostat / pressostat de sécurité
+BB	- Composants embarqués sur le brûleur	Y	- Vanne de réglage gaz + vanne de sécurité gaz
+BC	- Composants embarqués sur la chaudière	YVPS	- Dispositif de contrôle d'étanchéité de la vanne gaz
CN1	- Connecteur de la sonde d'ionisation	XMB	- Bornier
F1	- Relais thermique du moteur du ventilateur	XPGM	- Prise du pressostat gaz maximum
H	- Signalisation de mise en sécurité à distance	XP4	- Prise 4 pôles
H1	- Mise en sécurité YVPS	XP5	- Prise 5 pôles
IN	- Interrupteur d'arrêt manuel du brûleur	XP6	- Prise 6 pôles
ION	- Sonde d'ionisation	XP7	- Prise 7 pôles
h1	- Compteur horaire	X4	- Fiche 4 pôles
K1	- Relais	X5	- Fiche 5 pôles
KM	- Contacteur du moteur	X6	- Fiche 6 pôles
		X7	- Fiche 7 pôles
		XRWF	- Bornier RWF









Sheet : 6

SCHEMA FONCTIONNEL RWF50...

BETRIEBSSCHEMA RWF50...

RWF50... OPERATIONAL LAYOUT

SCHEMA FUNZIONALE RWF50...

Kit régulateur de puissance pour fonctionnement modulant

Avec le fonctionnement modulant, le brûleur adapte continuellement la puissance à la demande de chaleur en garantissant une grande stabilité au paramètre contrôlé: température ou pression.

Il y a deux composants à commander:

- le régulateur de puissance à installer sur le brûleur;
- la sonde à installer sur le générateur de chaleur.

Paramètre à contrôler		Sonde		Régulateur De Puissance	
	Plage de puissance	Type	Code	Type	Code
Température	- 100../ + 500 °C	PT 100	3010110	RWF50...	20082208
Pression	0...2,5 bar	Sonde avec sortie 4...20 mA	3010213	RWF55...	20099657
	0...16 bar		3010214		

Kit potentiomètre pour indication de la position de chargement

Brûleur	Code du kit
RS 50/M MZ	3010109

Kit interface adaptateur RMG à PC

Brûleur	Code du kit
RS 50/M MZ	3002719

Kit contacts propres

Brûleur	Code du kit
RS 50/M MZ	3010419

Rampes gaz conformes à la norme EN 676 (équipées de vannes, régulateur de pression et filtre) Adaptateurs rampe gaz - brûleur

Rampe gaz			Adaptateur rampe-brûleur
Code	Modèles	Ø	Code
3970554	MB-DLE 410	1"1/4	3000824
3970144	MB-DLE 412	1"1/4	-
3970197	MB-DLE 412 CT	1"1/4	-
3970180	MB-DLE 415	1"1/2	-
3970198	MB-DLE 415 CT	1"1/2	-
3970181	MB-DLE 420	2"	3000822
3970182	MB-DLE 420 CT	2"	3000822
3970221	MBC-1200-SE-50	2"	3000822
3970225	MBC-1200-SE-50 CT	2"	3000822

Kit pour le fonctionnement à GPL

Brûleur	Tête de combustion	Code du kit	Puissance obtenue avec le kit
RS 50/M MZ	TC - TL	20008173	125/285 ÷ 630 kW

Kit pour fonctionnement à TOWN GAS - non homologués CE

Brûleur	Tête de combustion	Code du kit
RS 50/M MZ	TC	3010285
RS 50/M MZ	TL	

Kit tête Longue

Brûleur	Code du kit	Longueur de tête standard	Longueur de tête pouvant être obtenu avec le kit
RS 50/M MZ	3010078	216 mm	351 mm

Kit entretoise

Brûleur	Code du kit	Épaisseur
RS 50/M MZ	3010095	90 mm

Kit ventilation continue

Brûleur	Code du kit
RS 50/M MZ	3010094

Caisson d'insonorisation

Brûleur	Code du kit	Type	Réduction moyenne du bruit
RS 50/M MZ	3010403	C1/3	10 [dB(A)]

Kit réduction des vibrations (pour chaudières à inversion de flamme)

Brûleur	Code du kit
RS 50/M MZ	3010200

Kit de protection contre les perturbations radio

En cas d'installation du brûleur dans des endroits particulièrement soumis à des perturbations radio (émission de signaux au-delà de 10 V/m) à cause de la présence de l'INVERTER, ou bien dans des applications où les longueurs des connexions du thermostat dépassent les 20 mètres, un kit de protection est disponible comme interface entre la boîte de contrôle et le brûleur.

Brûleur	Code du kit
RS 50/M MZ	3010386

La tableau indique les fuites de charge minimales sur la ligne d'alimentation en gaz en fonction de la puissance maximum du brûleur.

kW	1 Δp (mbar)		2 Δp (mbar)		3 Δp (mbar)									
	G 20	G 25	G 20	G 25	MB-DLE 410 (Rp 1" 1/4)		MB-DLE 412 (Rp 1" 1/4)		MB-DLE 415 (Rp 1" 1/2)		MB-DLE 420 (Rp 2")		MBC-1200-SE (Rp 2")	
					G 20	G 25	G 20	G 25	G 20	G 25	G 20	G 25	G 20	G 25
285	2,5	3,7	0,4	0,5	16,5	22,7	8,0	11,1	4,0	5,3	3,2	3,4	3,4	3,6
330	3,3	4,5	0,5	0,6	21,0	28,4	10,1	14,2	4,9	6,6	3,2	4,2	3,5	3,8
380	4,1	5,3	0,7	0,8	26,0	35,3	13,0	17,7	6,0	8,0	3,8	5,1	3,7	4,0
430	4,9	6,1	0,8	1,0	31,4	42,6	15,7	21,4	7,2	9,6	4,6	6,2	3,9	4,3
480	5,8	7,0	1,0	1,3	37,1		18,6	25,6	8,5	11,2	5,4	7,3	4,1	4,6
530	6,7	8,4	1,3	1,6	43,2		21,8	30,1	9,7	12,9	6,2	8,6	4,3	4,9
580	7,6	9,9	1,5	1,9			25,2	34,5	11,0	14,6	7,2	9,8	4,5	5,2
630	8,5	11,3	1,8	2,2			28,8	39,1	12,4	16,4	8,2	11,1	4,8	5,5

Les valeurs reportées sur les tableaux se réfèrent à :

- Gaz naturel G 20 PCI 9,45 kWh/Sm³ (8,2 Mcal/Sm³)
- Gaz naturel G 25 PCI 8,13 kWh/Sm³ (7,0 Mcal/Sm³)

Colonne 1

Perte de charge tête de combustion.

Pression du gaz mesurée à la prise 1)(Fig. 39), avec:

- Chambre de combustion à 0 mbar;
- Brûleur fonctionnant à la puissance maximale;
- Tête de combustion réglée comme dans le diagramme de la Fig. 16.

Colonne 2

Perte de charge du papillon gaz 2)(Fig. 39) avec ouverture maximale: 90°.

Colonne 3

Perte de charge de la rampe 3)(Fig. 39) comprenant:

- vanne de régulation (VR),
- vanne de sécurité (VS) (ayant chacune une ouverture maximum),
- régulateur de pression (R),
- filtre (F).

NOTE

Pour connaître la puissance MAX approximative à laquelle le brûleur fonctionne:

- Soustraire la pression dans la chambre de combustion de la pression du gaz à la prise 1)(Fig. 39).
- Repérer la valeur la plus proche du résultat obtenu sur le tableau relatif au brûleur considéré, colonne 1.
- Lire la puissance correspondante sur la gauche.

Exemple avec gaz naturel G 20

- Fonctionnement à la puissance maximum
- Bague du gaz 2)(Fig.15) réglée selon le diagramme (Fig.16)
- Pression du gaz à la prise 1)(Fig. 39) = 8 mbar
- Pression en chambre de combustion = 2,2 mbar
- 8 - 2,2 = 5,8 mbar

Sur le tableau, à la pression de 5,8 mbar, colonne 1, correspond une puissance de 480 kW.

Cette valeur sert de première approximation; le débit effectif est mesuré sur le compteur.

NOTE

Par contre, pour connaître la pression de gaz nécessaire à la prise 1)(Fig. 39), après avoir fixé la puissance maximale de fonctionnement du brûleur:

- repérer la puissance la plus proche à la valeur voulue dans le tableau relatif au brûleur concerné.
- Lire la pression à la prise 1)(Fig. 39) sur la droite, colonne 1.
- Ajouter à cette valeur la pression estimée dans la chambre de combustion.

Exemple avec gaz naturel G 20

- Puissance MAX désirée: 480 kW
- Bague du gaz 2)(Fig.15) réglée selon le diagramme (Fig.16)
- Pression du gaz à la puissance de 480 kW = 5,8 mbar
- Pression dans la chambre de combustion = 2,2 mbar
- 5,8 + 2,2 = 8 mbar

pression nécessaire à la prise 1) (Fig. 39).

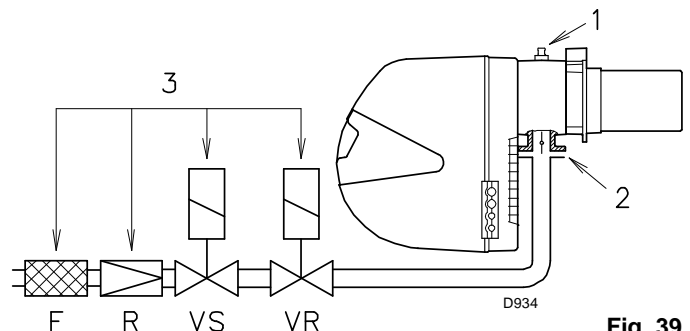


Fig. 39

La plage de puissance du brûleur reportée dans le manuel a été calculée à une température ambiante de 20 °C, à une altitude de 0 m au-dessus du niveau de la mer (pression barométrique 1013 mbar).

Il se peut qu'un brûleur doive fonctionner avec de l'air comburant à une température supérieure et/ou à une altitude supérieure.

Le chauffage de l'air et l'augmentation de l'altitude donnent le même effet: l'expansion du volume de l'air c'est à dire la réduction de sa densité.

Le débit du ventilateur du brûleur reste pratiquement le même mais il y a une réduction du contenu en oxygène par m³ d'air et de la poussée (puissance) du ventilateur.

Il est important de savoir si la puissance maximale demandée par le brûleur à une pression déterminée dans la chambre de combustion reste dans les limites de la plage de puissance du brûleur même avec le changement des conditions de température et d'altitude.

Pour le vérifier se comporter de la manière suivante:

- 1 - Trouver le facteur de correction F relatif à la température de l'air et altitude de l'installation sur le côté.
- 2 - Diviser la puissance Q demandée au brûleur par F pour obtenir la puissance équivalente Qe:

$$Q_e = Q : F \text{ (kW)}$$

- 3 - Marquer dans la plage de puissance du brûleur le point de puissance identifié par:

Qe = puissance équivalente

H1 = pression chambre de combustion

point A qui doit rester dans les limites de la plage de puissance (Fig. 40).

- 4 - Tracer une verticale à partir du point A, Fig. 40, et trouver la pression maximale H2 de la plage de puissance.

- 5 - Multiplier H2 par F pour obtenir la pression maximale baissée H3 de la plage de puissance

$$H_3 = H_2 \times F \text{ (mbar)}$$

Si H3 est supérieure à H1, comme dans la Fig. 40, le brûleur peut fournir le débit demandé.

Si H3 est inférieure à H1 il faut réduire la puissance du brûleur. Une réduction de la pression chambre de combustion accompagne une réduction de la puissance:

Qr = puissance réduite

H1r = pression réduite

$$H_{1r} = H_1 \times \left(\frac{Q_r}{Q} \right)^2$$

Exemple, réduction puissance de 5 %:

$$Q_r = Q \times 0,95$$

$$H_{1r} = H_1 \times (0,95)^2$$

Avec les nouvelles valeurs Qr et H1r répéter les pas 2 - 5.

Attention:

la tête de combustion doit être réglée en relation à la puissance équivalente Qe.

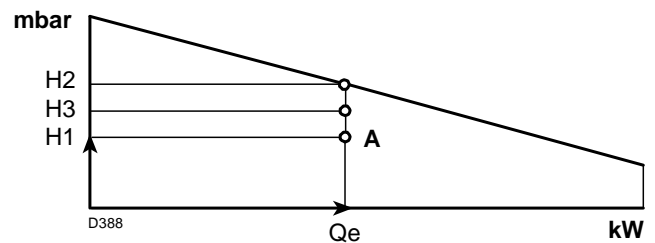


Fig. 40

Altitude m s.n.m.	Pression barométrique moyenne mbar	F							
		Température air °C							
		0	5	10	15	20	25	30	40
0	1013	1,087	1,068	1,049	1,031	1,013	0,996	0,980	0,948
100	1000	1,073	1,054	1,035	1,017	1,000	0,983	0,967	0,936
200	989	1,061	1,042	1,024	1,006	0,989	0,972	0,956	0,926
300	978	1,050	1,031	1,013	0,995	0,978	0,962	0,946	0,916
400	966	1,037	1,018	1,000	0,983	0,966	0,950	0,934	0,904
500	955	1,025	1,007	0,989	0,972	0,955	0,939	0,923	0,894
600	944	1,013	0,995	0,977	0,960	0,944	0,928	0,913	0,884
700	932	1,000	0,982	0,965	0,948	0,932	0,916	0,901	0,872
800	921	0,988	0,971	0,954	0,937	0,921	0,906	0,891	0,862
900	910	0,977	0,959	0,942	0,926	0,910	0,895	0,880	0,852
1000	898	0,964	0,946	0,930	0,914	0,898	0,883	0,868	0,841
1200	878	0,942	0,925	0,909	0,893	0,878	0,863	0,849	0,822
1400	856	0,919	0,902	0,886	0,871	0,856	0,842	0,828	0,801
1600	836	0,897	0,881	0,866	0,851	0,836	0,822	0,808	0,783
1800	815	0,875	0,859	0,844	0,829	0,815	0,801	0,788	0,763
2000	794	0,852	0,837	0,822	0,808	0,794	0,781	0,768	0,743
2400	755	0,810	0,796	0,782	0,768	0,755	0,742	0,730	0,707
2800	714	0,766	0,753	0,739	0,726	0,714	0,702	0,690	0,668
3200	675	0,724	0,711	0,699	0,687	0,675	0,664	0,653	0,632
3600	635	0,682	0,669	0,657	0,646	0,635	0,624	0,614	0,594
4000	616	0,661	0,649	0,638	0,627	0,616	0,606	0,596	0,577

RIELLO

RIELLO S.p.A.
I-37045 Legnago (VR)
Tel.: +39.0442.630111
[http:// www.riello.it](http://www.riello.it)
[http:// www.riello.com](http://www.riello.com)